

Slab formwork support

Product list

Please note

This product list includes all parts necessary for most applications.
For parts required for special applications, please refer to the MEVA price list. Dimensions are in centimetres (cm) unless a different unit is shown.

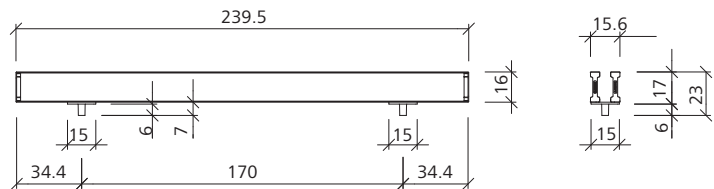
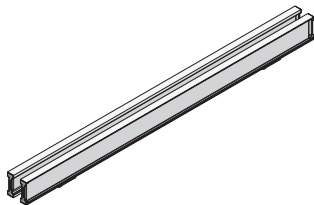
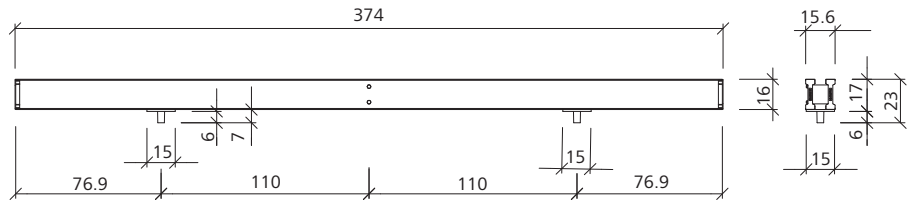
Contents

EuMax 20	41
EuMax 30	40
MEP prop with SAS	39
Tripod	38
VarioMax beam clamp H20.....	37
VarioMax clamping piece.....	37
VarioMax double Beam.....	36
VarioMax slide-in Beam	36
VarioMax universal wailing	37

Slab formwork support

VarioMax double Beam

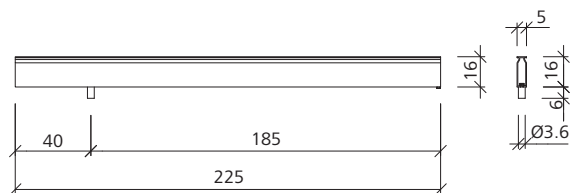
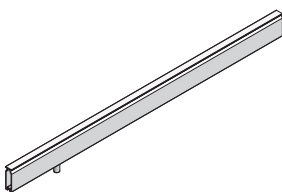
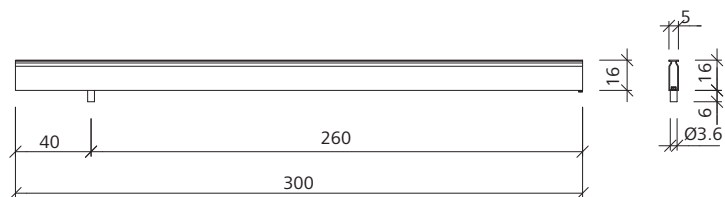
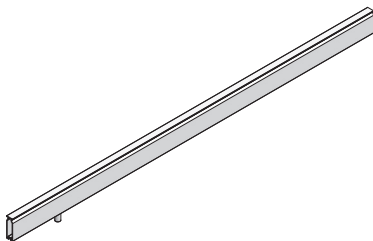
Made of aluminium, powder-coated RAL 3020 (traffic red). Basic girder used with thicker and higher slabs. The beam is provided with 2 spikes for props (refer to the VarioMax Technical Instruction Manual).



Ref. No.	Description / Application	m ²	kg
29-217-10	VarioMax double Beam 375	28.29	
29-217-20	VarioMax double Beam 240	17.80	

VarioMax slide-in Beam

Made of aluminium, powder-coated RAL 9010 (white), provided with a spike for props. The slide-in beam is inserted into the VarioMax double beam and permits adjustment of the formwork to any size.

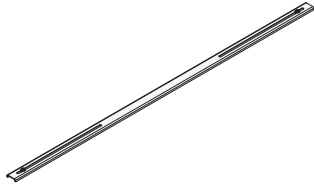


Ref. No.	Description / Application	m ²	kg
29-217-60	VarioMax slide-in Beam 300	14.91	
29-217-70	VarioMax slide-in Beam 225	11.24	

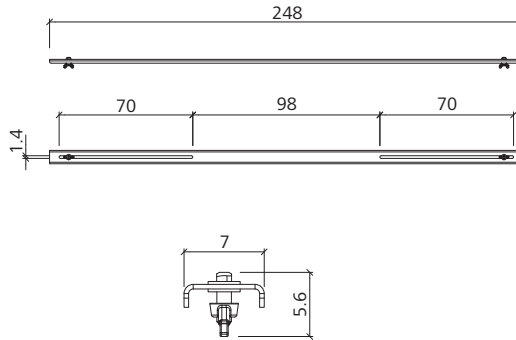
Slab formwork support

VarioMax universal wailing

Made of aluminium, length 2.48 m. Used for bracing the beams. All items are safely connected to each other. Therefore no parts can be lost. Is fixed to the slide-in beam by the hammerhead bolt.



Ref. No.	Description / Application	m ²	kg
29-217-90	VarioMax universal wailing	2.64	

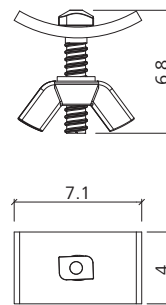


VarioMax clamping piece

For bracing the beams with an additional batten, The clamping piece is attached to the beams by hammer-head bolts.

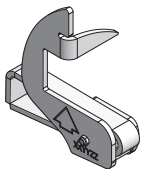


Ref. No.	Description / Application	m ²	kg
29-217-95	VarioMax clamping piece	0.25	

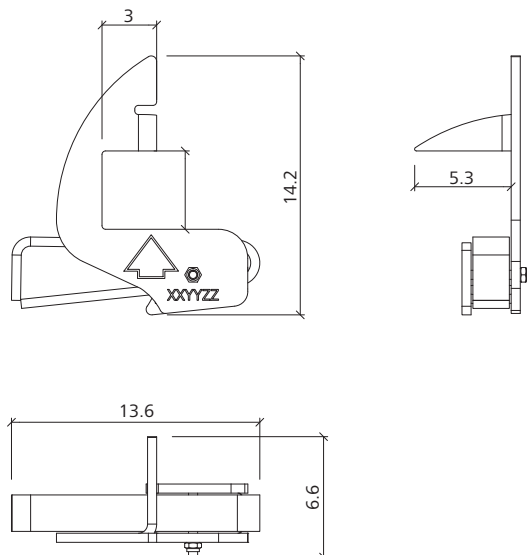


VarioMax beam clamp H20

galvanized, connects VarioMax beams with H20-girders. The integrated wedge locks or releases the beam clamp H20.



Ref. No.	Description / Application	m ²	kg
29-217-96	VarioMax beam clamp H20	0.65	

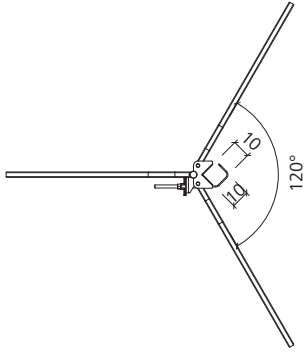
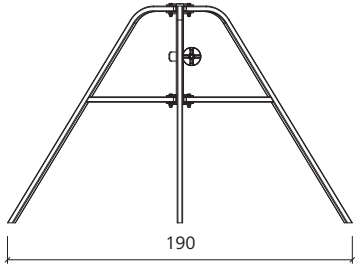
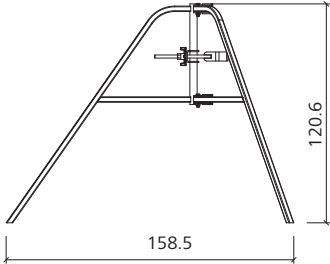
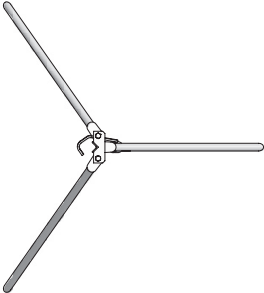
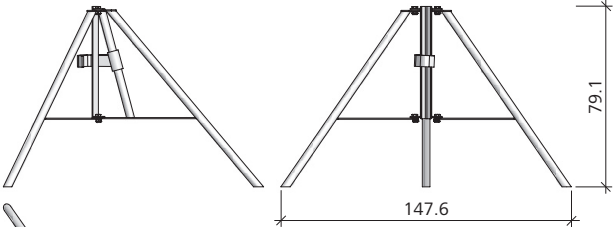
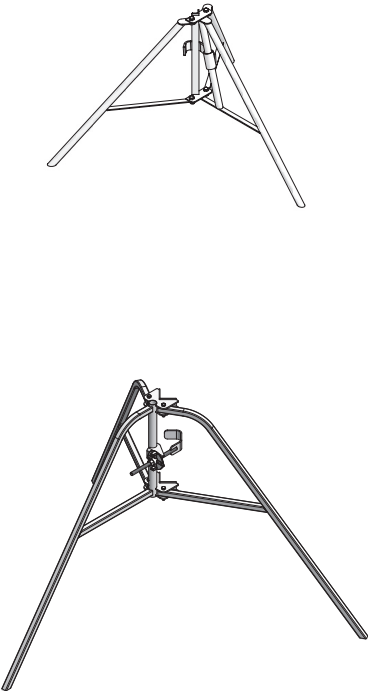


Slab formwork support

Tripod

Galvanized. Auxiliary that is used to place and install props of Ø 48 - 80 mm. The revolving legs of the tripod allow using it right in the middle of a room as well as along the wall or in a corner. Is attached to the aluminium profile of MEP props with a MD safety claw.

Ref. No.	Description / Application	m ²	kg
29-905-50 Tripod		8.00
29-905-52 Tripod 120		17.70

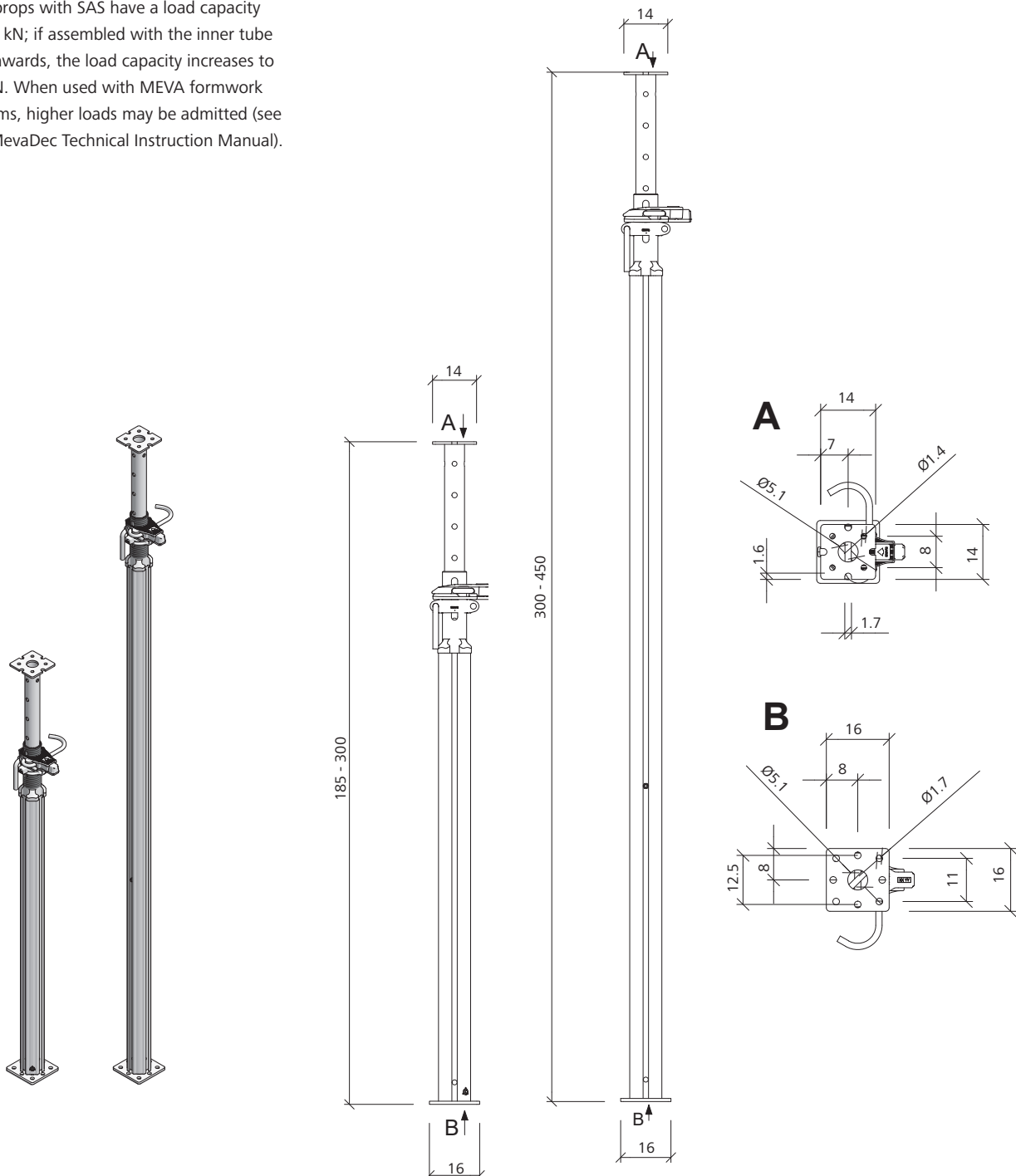


Slab formwork support

MEP prop with SAS

The MEP prop has a steel inner tube and an aluminium outer tube with a T-groove to attach reinforcing frames. The SAS quick-lowering system allows the stress in the prop to be released with one strike of a hammer. After stripping the prop automatically resets and locks in the original position. According to European standard EN 1065 class E, the MEP 300 props with SAS have a load capacity of 40 kN at all extensions. The MEP 450 props with SAS have a load capacity of 20 kN; if assembled with the inner tube downwards, the load capacity increases to 30 kN. When used with MEVA formwork systems, higher loads may be admitted (see the MevaDec Technical Instruction Manual).

Ref. No.	Description / Application	m ²	kg
29-907-65	MEP prop 300 with SAS ... (185-300)		26.70
29-907-70	MEP prop 450 with SAS (300-450)		34.30

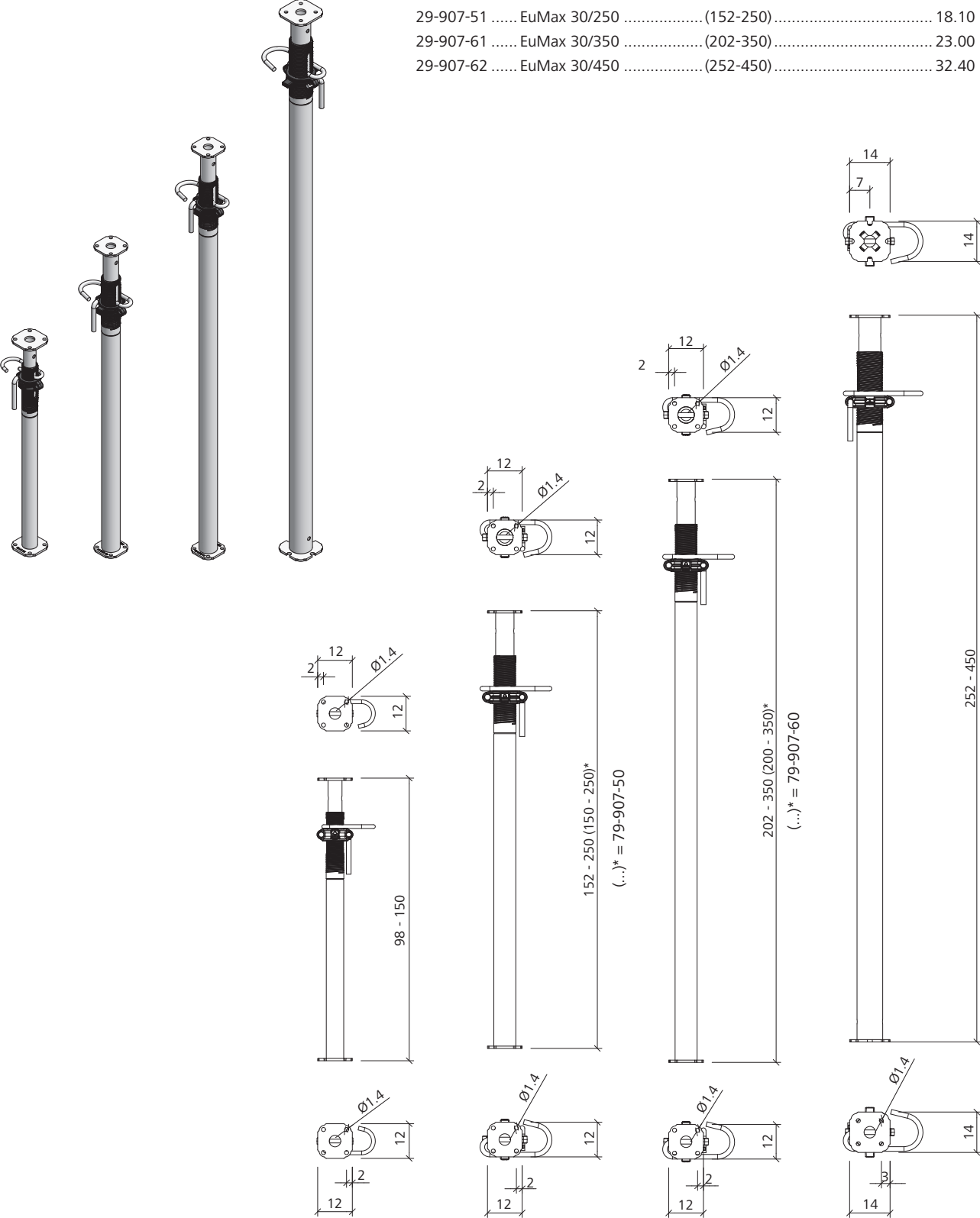


Slab formwork support

EuMax 30

Galvanized. Complies with European standard EN 1065, class E. The admissible load is 30 kN at all extensions. When used with MEVA formwork systems, higher loads may be admitted (see the MevaDec Technical Instruction Manual).

Ref. No.	Description / Application	m ²	kg
X22-0073	EuMax Pro 30/150(98-150)		11.50
X22-0074	EuMax Pro 30/250(152-250)		18.50
X22-0075	EuMax Pro 30/350(202-350)		23.40
X22-0076	EuMax Pro 30/450(252-450)		33.00
29-907-46	EuMax 30/150(98-150)		10.40
29-907-51	EuMax 30/250(152-250)		18.10
29-907-61	EuMax 30/350(202-350)		23.00
29-907-62	EuMax 30/450(252-450)		32.40

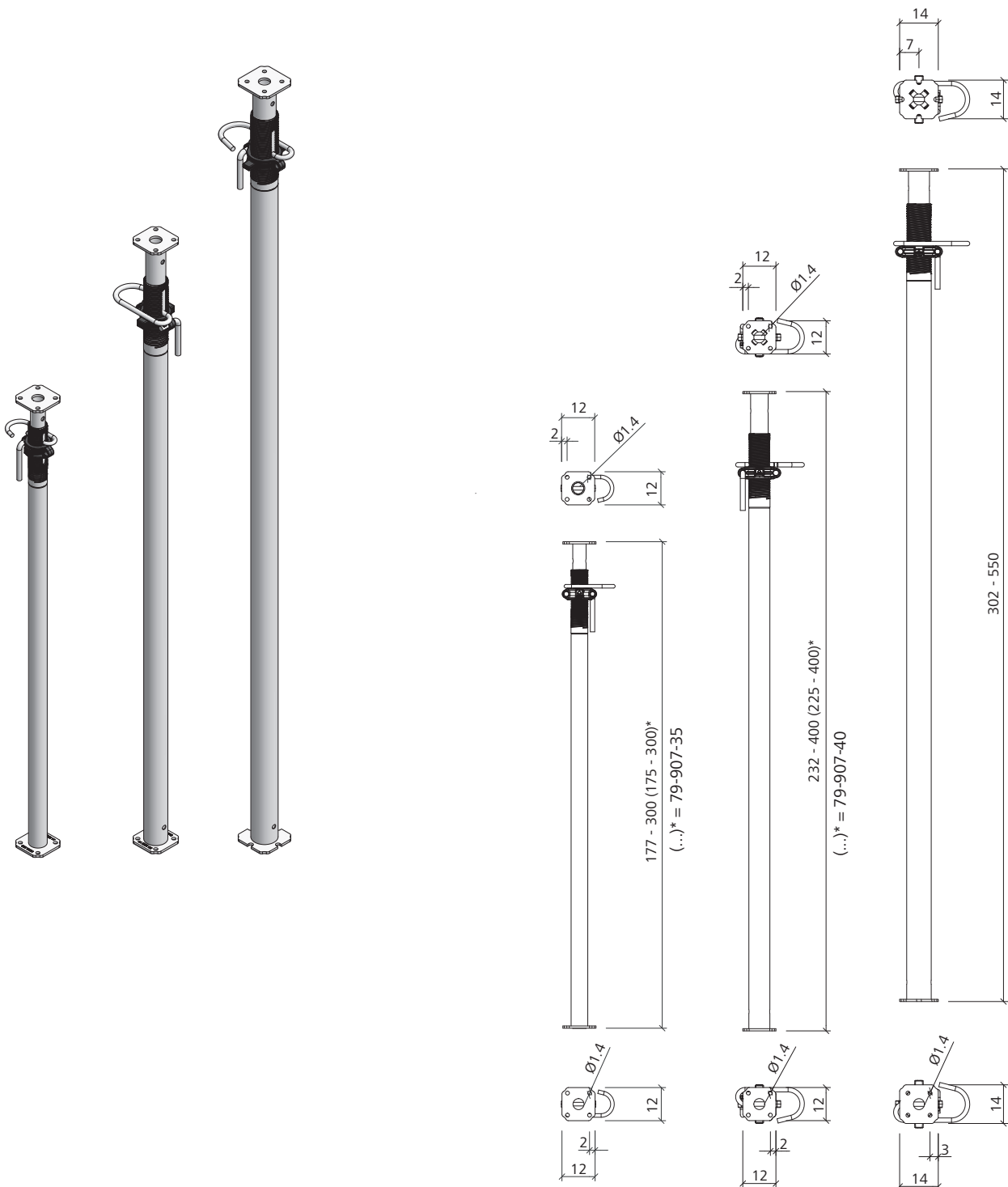


Slab formwork support

EuMax 20

Galvanized. Complies with European standard EN 1065, class D. The admissible load is 20 kN at all extensions. When used with MEVA formwork systems, higher loads may be admitted (see the MevaDec Technical Instruction Manual).

Ref. No.	Description / Application	m ²	kg
X22-0070 EuMax Pro 20/300(177-300)		18.30
X22-0071 EuMax Pro 20/400(232-400)		24.70
X22-0072 EuMax Pro 20/550(302-550)		38.70
29-907-36 EuMax 20/300(177-300)		16.90
29-907-41 EuMax 20/400(232-400)		23.80
29-907-45 EuMax 20/550(302-550)		37.00





MEVA Schalungs-Systeme GmbH

Industriestrasse 5
72221 Haiterbach
Germany

Tel. +49 7456 692-01
Fax +49 7456 692-66
info@meva.net
www.meva.net