

Product list

Please note

This product list includes all parts necessary for most applications.
 For parts required for special applications, please refer to the MEVA price list. Dimensions are in centimetres (cm) unless another measure is shown.

Contents

Adhesive tape, red.....	93	Panel height = 270 cm AluStar.....	84
Alignment rail.....	98	Panel height = 270 cm StarTec.....	79
AluStar inside corner AL.....	90	Panel height = 270 cm StarTec.....	80
AluStar panels.....	84	Panel height = 330 cm StarTec.....	78
AluStar radius panel.....	89	Plastic tube.....	100
Articulated flange nut 15/120.....	101	Plug.....	100
AS assembly lock.....	94	Plug D20.....	97
AS crane hook.....	102	Push-pull strut.....	111
AS hinged inside corner.....	92	RS-assembly lock.....	95
AS hinged outside corner.....	92	Safety cage.....	109
AS/ST aluminium filler.....	96	Safety plug stacks.....	106
AS/ST outside corner.....	91	Scaffold tube.....	105
AS/ST timber profile.....	96	Side railing.....	103
AS tensioning bow.....	89	Side railing BKB 125.....	110
Brace frame 250.....	102	Spanner SW 27.....	101
Chamfer strip 270.....	95	Stacking Angle 60/40/23.....	106
Cone for plastic tube.....	100	StarTec inside corner.....	90
Corner angle 40/60.....	99	StarTec multi-purpose panel.....	83
Double-jointed foot plate.....	103	StarTec panel ... /240 AL20.....	82
Eco stacking rack for panels.....	107	StarTec panel 270/45 with concreting window.....	87
Extension ladder.....	108	StarTec panel AL 17, 270/45 with filling nozzle.....	87
Flange nut 100.....	101	StarTec panels.....	78
Flange screw.....	95	StarTec stripping corner.....	93
Folding access platform BKB 125.....	110	ST multi-purpose panel 135/75.....	83
Folding access platform BKB 125/140.....	110	ST multi-Purpose panel 270/75.....	83
Formwork-prop connector.....	102	Stop end bracket.....	97
Foundation tape.....	88	Stop end fixture 23/40.....	97
Guardrailing post.....	104	Stripping support.....	93
Guardrailing post 48.....	104	Support angle for walkway brackets.....	99
Ladder.....	108	Swivel-joint coupler 48/48.....	105
Ladder connector.....	109	Tensioner AS/ST for foundation tape.....	88
Ladder fixture, lower wall formwork.....	110	Tie rod DW 15/90.....	99
Ladder fixture, upper wall formwork.....	109	Tie rod fixture.....	100
Lifting hook 40.....	107	Tilting bracket 40/60.....	105
M-cross stiffener 44.....	99	Transition lock AF-ST/AS.....	94
MEVA chamfer strip 35/10.....	95	Trolley for foundation tape.....	88
Panel height = 90 cm AluStar.....	86	Uni-assembly lock.....	94
Panel height = 90 cm StarTec.....	82	Uni-tie claw.....	101
Panel height = 135 cm AluStar.....	85	Walkway bracket.....	103
Panel height = 135 cm StarTec.....	81		

StarTec panels

Construction height 12 cm, frame profile width 40 mm. Three tie holes per panel height 330 cm, two tie holes per panel height 270 cm, one tie hole per panel height 135 cm and 90 cm. Absolutely compatible with AluStar panels. The frames of StarTec panel frames are made of closed steel profiles and are torsion-proof. StarTec panels are equipped with alkus facing. All-around grooves and AS assembly locks guarantee a tight and perfectly aligned stepless panel connection. Conical anchor sleeves are weld into the frames. Multi-function profiles permit an easy, fast and safe attachment of accessories.

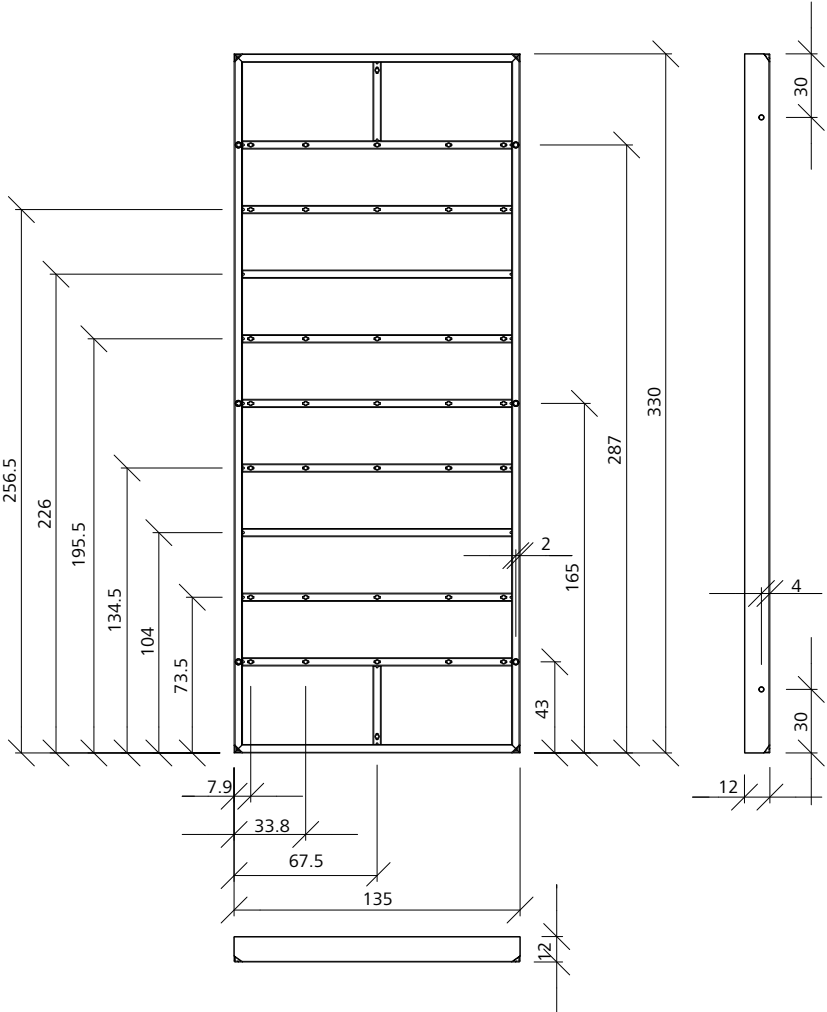
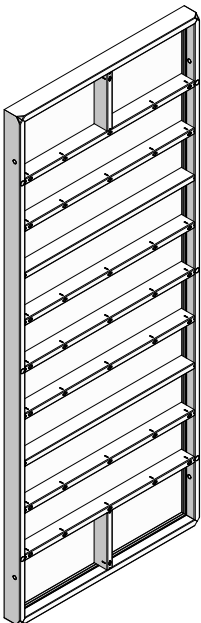
Ref.-No.	Description / Application	m ²	kg
21-217-01	StarTec AL 20 330/270	8.91	543.00
21-217-06	StarTec AL 20 330/135	4.46	253.00
21-217-11	StarTec AL 17 330/90	2.97	125.50
21-217-26	StarTec AL 17 330/75	2.48	112.00
21-217-46	StarTec AL 17 330/55	1.82	93.50
21-217-49	StarTec AL 17 330/50	1.65	88.00
21-217-51	StarTec AL 17 330/49	1.62	88.00
21-217-71	StarTec AL 17 330/30	0.99	62.00
21-217-76	StarTec AL 17 330/25	0.83	58.00

Panel height = 330 cm StarTec

9 cross stiffeners of which 7 are multifunton profiles (welded-in nuts with DW thread). 2 vertical stiffeners at the top and bottom, each with DW-threaded nut.
3 tie holes per panel height.

Attention

Tie holes that are not used must always be closed with plastic plug D20.



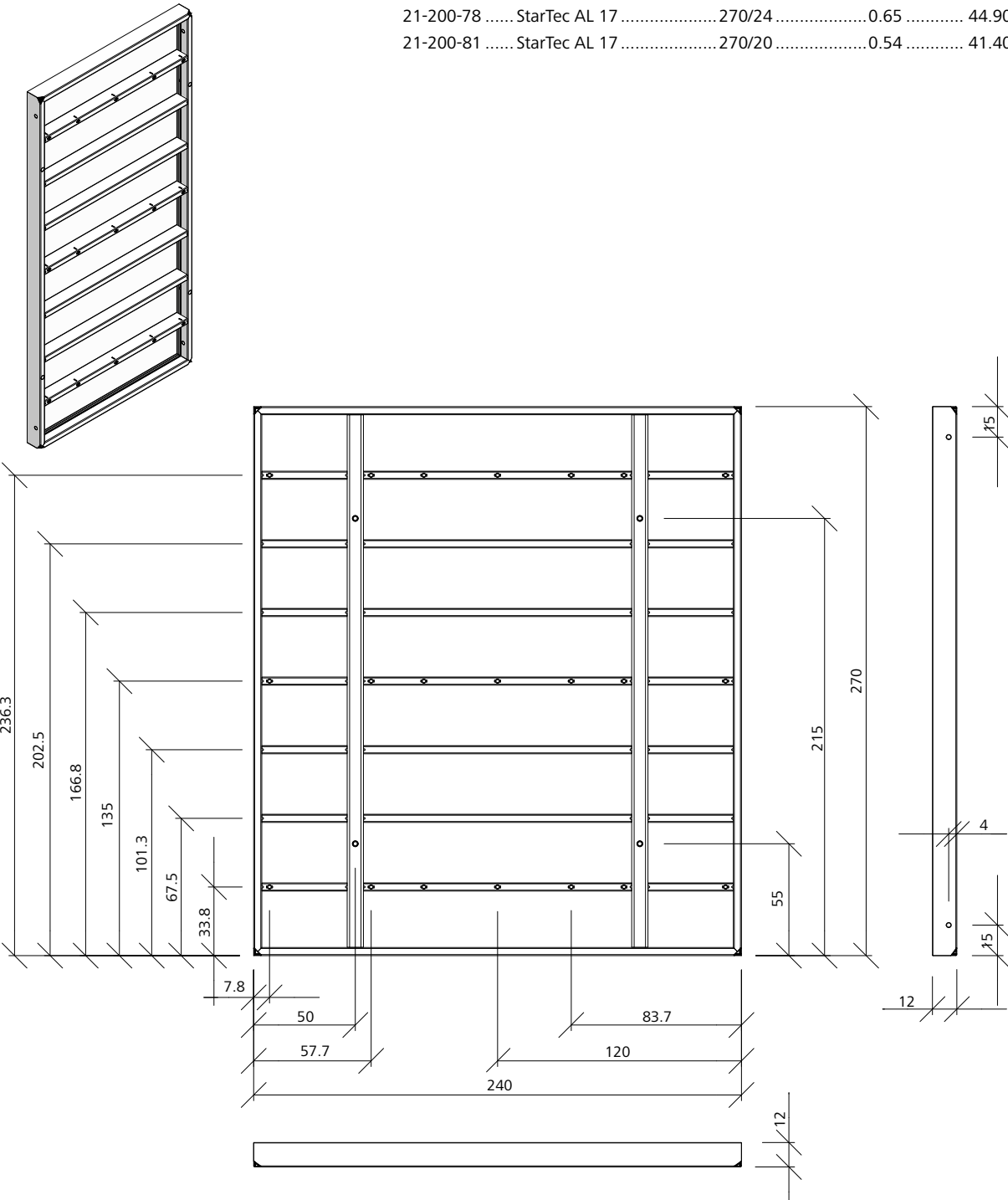
**Panel height = 270 cm
StarTec**

7 cross stiffeners of which 3 are multi-fun-
tion profiles (welded in nuts with DW thread)
2 tie holes per panel height.

Attention

Tie holes that are not used must always be
closed with plastic plug D20.

Ref.-No.	Description / Application	m ²	kg
21-200-03	StarTec AL 20 270/240	6.48	388.00
21-200-06	StarTec AL 20 270/135	3.65	206.50
21-200-11	StarTec AL 17 270/90	2.43	103.40
21-200-26	StarTec AL 17 270/75	2.03	90.90
21-200-46	StarTec AL 17 270/55	1.49	72.80
21-200-49	StarTec AL 17 270/50	1.35	67.90
21-200-52	StarTec AL 17 270/49	1.32	67.10
21-200-56	StarTec AL 17 270/45	1.22	64.00
21-200-61	StarTec AL 17 270/40	1.08	60.20
21-200-71	StarTec AL 17 270/30	0.81	48.40
21-200-76	StarTec AL 17 270/25	0.68	45.70
21-200-78	StarTec AL 17 270/24	0.65	44.90
21-200-81	StarTec AL 17 270/20	0.54	41.40

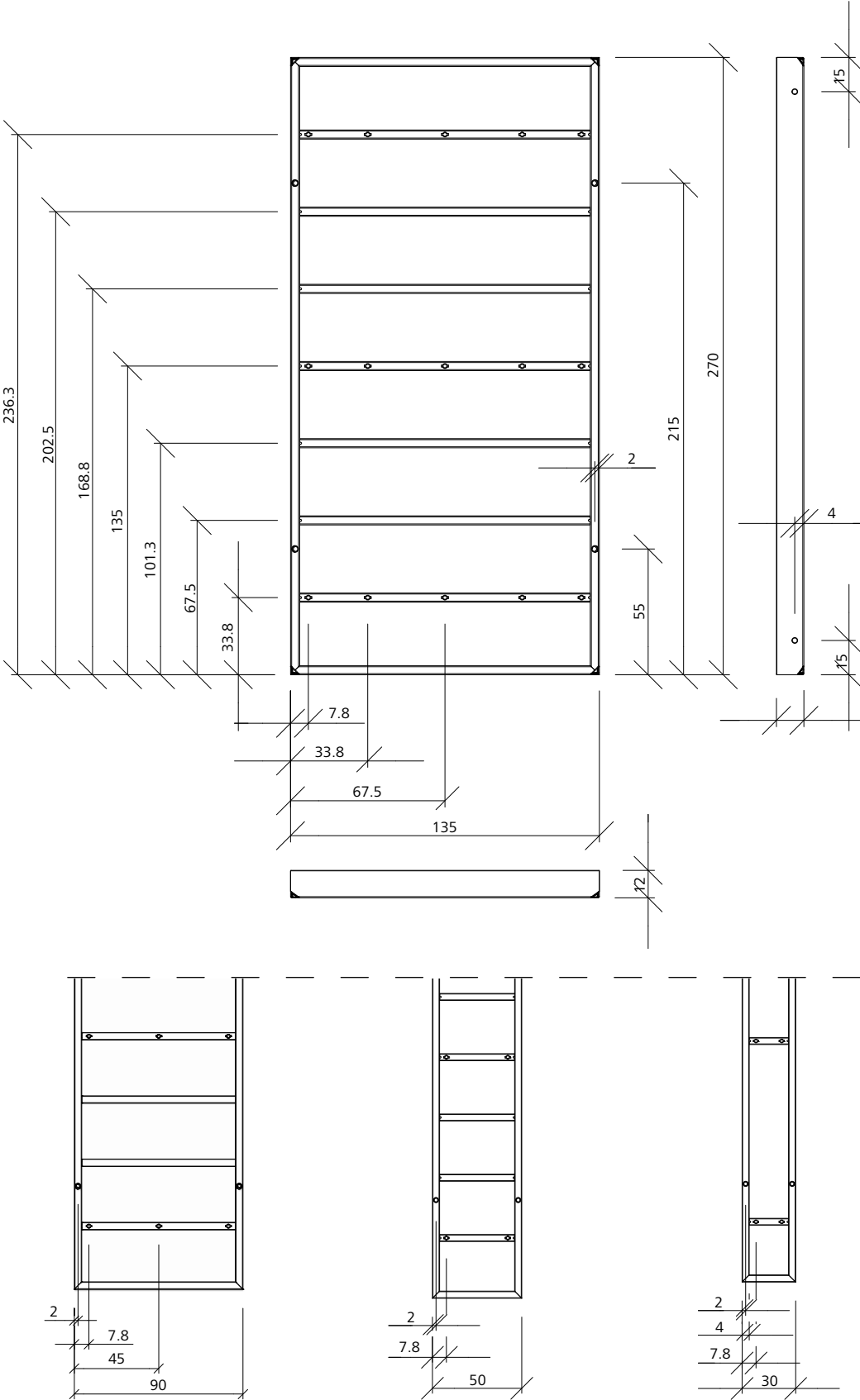


Wall formwork

StarTec / AluStar

Panel height = 270 cm
StarTec

Ref.-No. Description / Application m² kg



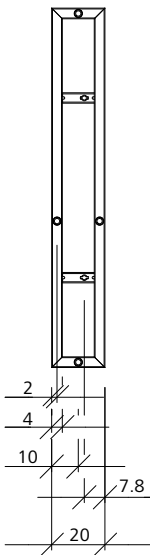
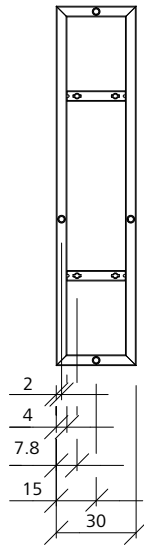
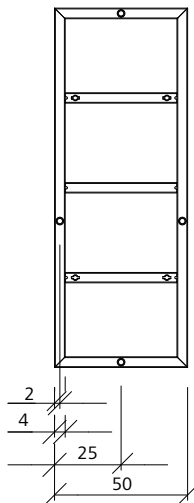
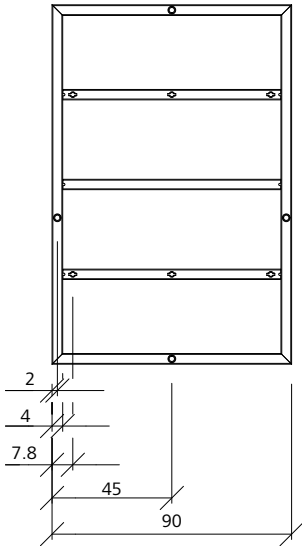
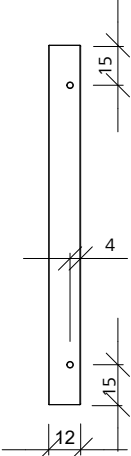
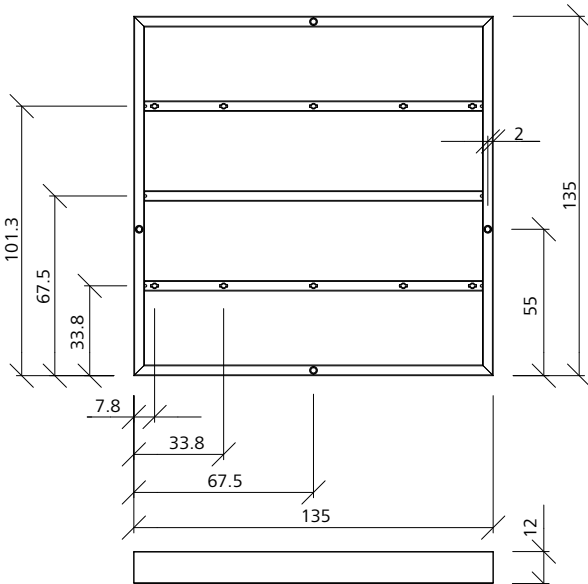
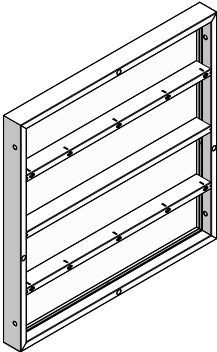
Panel height = 135 cm
StarTec

3 cross stiffeners of which 2 are multifunction profiles (welded-in nuts with DW thread) 1 tie hole per panel height (and an additional tie hole in the front area for horizontal use when forming foundations)

Attention

Tie holes that are not used must always be closed with plastic plug D20.

Ref.-No.	Description / Application	m ²	kg
21-210-06	StarTec AL 17 135/135	1.82	74.70
21-210-11	StarTec AL 17 135/90	1.22	53.60
21-210-26	StarTec AL 17 135/75	1.01	47.30
21-210-46	StarTec AL 17 135/55	0.74	38.60
21-210-49	StarTec AL 17 135/50	0.68	36.00
21-210-52	StarTec AL 17 135/49	0.66	35.80
21-210-56	StarTec AL 17 135/45	0.61	33.90
21-210-61	StarTec AL 17 135/40	0.54	31.00
21-210-71	StarTec AL 17 135/30	0.41	26.70
21-210-76	StarTec AL 17 135/25	0.34	25.00
21-210-78	StarTec AL 17 135/24	0.32	24.40
21-210-81	StarTec AL 17 135/20	0.27	21.10



Wall formwork

StarTec / AluStar

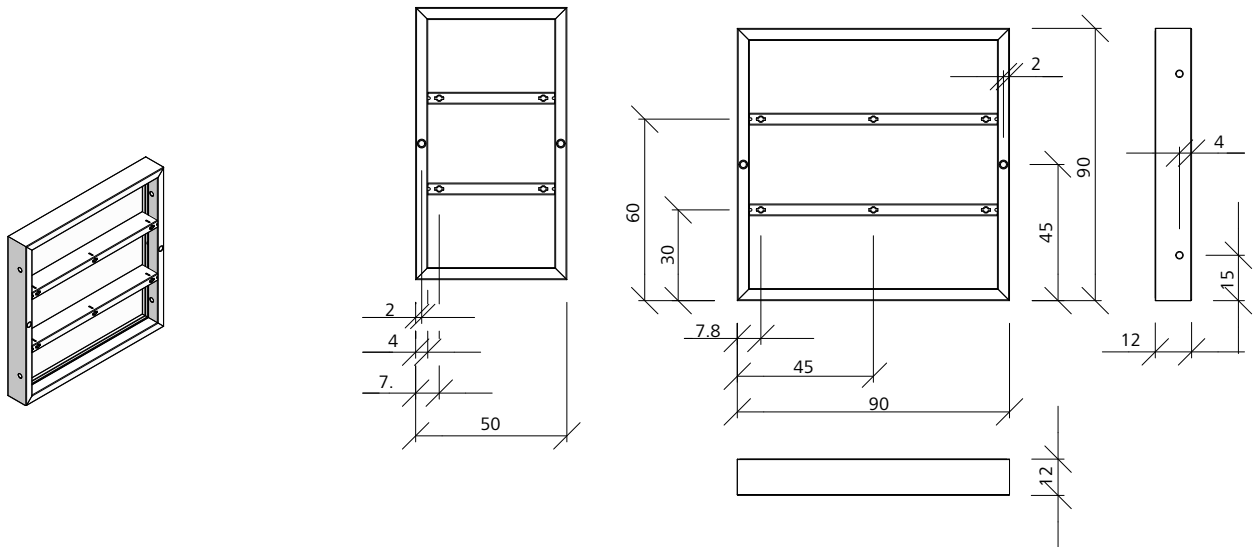
Panel height = 90 cm StarTec

2 cross stiffeners that are multi-function profiles (welded-in nuts with DW thread)
1 tie hole per panel height.

Attention

Tie holes that are not used must always be closed with plastic plug D20.

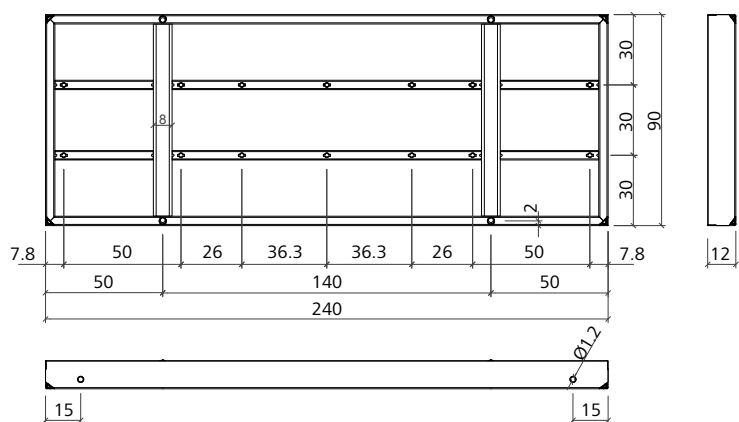
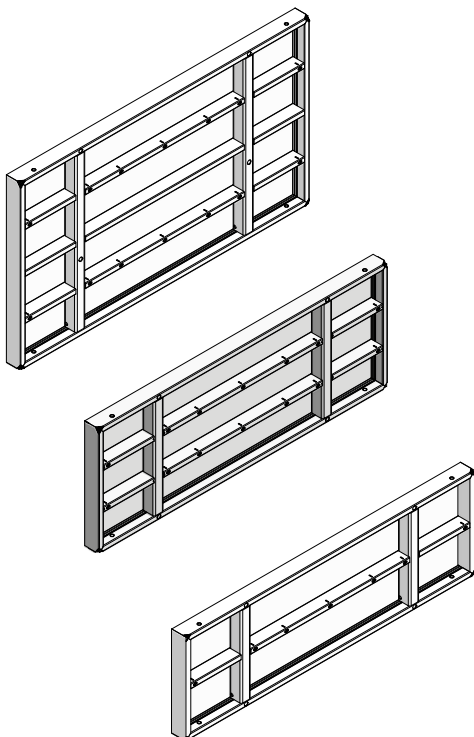
Ref.-No.	Description / Application	m ²	kg
21-211-11	StarTec AL 17 90/90	0.81	39.30
21-211-26	StarTec AL 17 90/75	0.68	34.60
21-211-46	StarTec AL 17 90/55	0.50	28.30
21-211-49	StarTec AL 17 90/50	0.45	26.00
21-211-76	StarTec AL 17 90/25	0.23	18.10



StarTec panel ... /240 AL20

Suited to stack StarTec panels 270/240 at top or at bottom.

Ref.-No.	Description / Application	m ²	kg
21-215-00	StarTec AL 20 135/240	3.24	221.00
21-215-65	StarTec AL 20 90/240	2.16	153.10
21-215-60	StarTec AL 20 75/240	1.80	129.10



Wall formwork

StarTec / AluStar

StarTec multi-purpose panel

StarTec panel with multi-adjustment profiles. Usable as column formwork or to concrete pilasters, stop ends, connections to existing walls, corner configurations, etc. Is used with stop end fixture 23/40.

ST multi-Purpose panel 270/75

9 cross stiffeners of which 4 are multi-function profiles (welded-in nuts with DW thread)
3 tie holes per panel height.

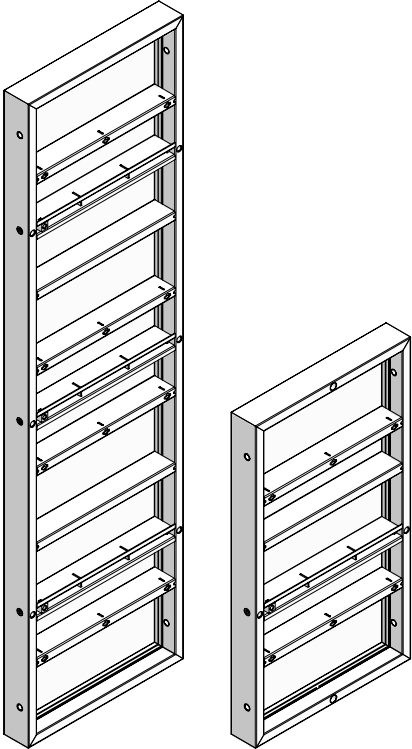
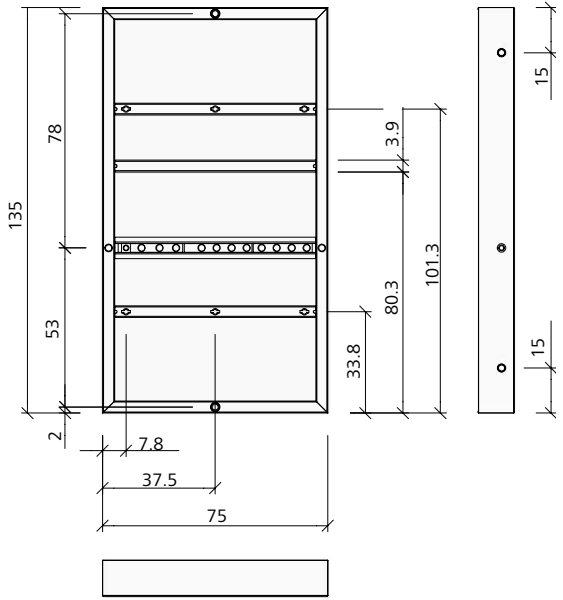
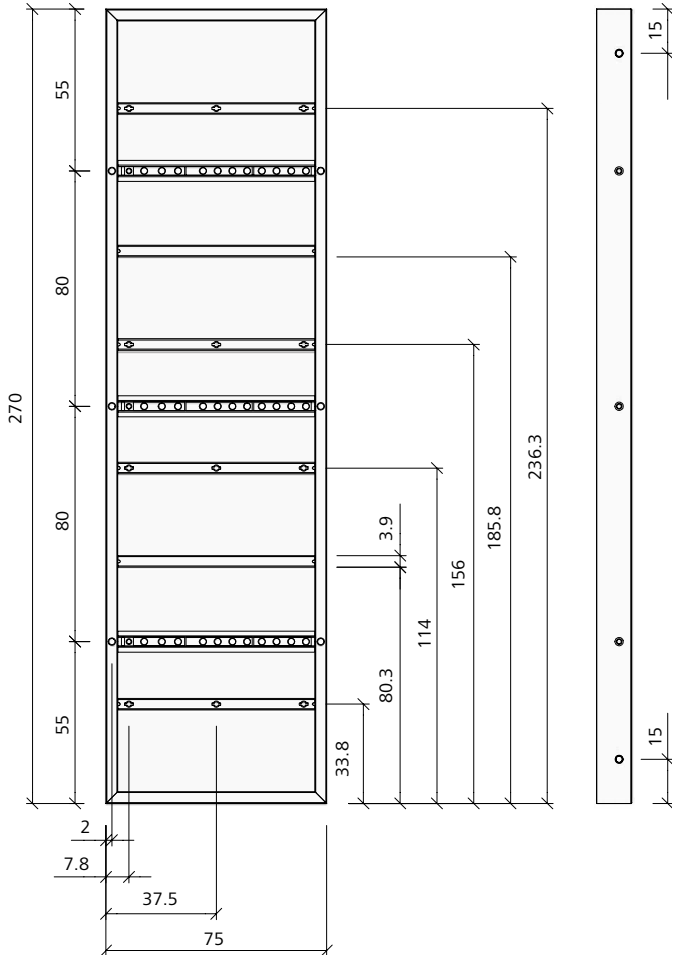
ST multi-purpose panel 135/75

4 cross stiffeners of which 2 are multi-function profiles (welded-in nuts with DW-thread). 1 cross stiffener is perforated.
1 tie hole per panel height (and a tie hole in the front for horizontal use when forming foundations).

Attention

Tie holes that are not used must always be closed with plastic plug D20.

Ref.-No.	Description / Application	m ²	kg
21-212-26	StarTec AL-MPP 270/75	2.03	103.50
21-212-46	StarTec AL-MPP 135/75	1.01	52.20



AluStar panels

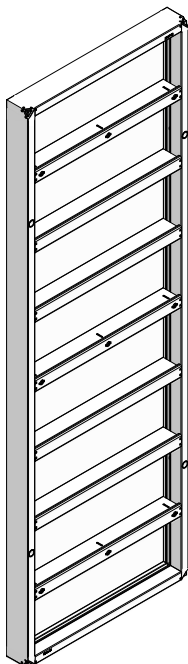
Construction height 12 cm, frame profile width 40 mm. Two tie holes per panel height 270 cm, one tie holes per panel height 135 cm and 90 cm. Absolutely compatible with StarTec panels. The frames of AS panels are made of closed 2-chamber aluminium profiles and are torsion-proof. Thanks to their high-quality annealed powder coating they are easy to clean. AS panels are equipped with alkus facing and ergonomic grip profiles. All-around grooves and AS assembly locks guarantee a tight and perfectly aligned stepless panel connection. Conical anchor sleeves are weld into the frames. Multi-function profiles allow for an easy, fast and safe attachment of accessories.

Panel height = 270 cm AluStar

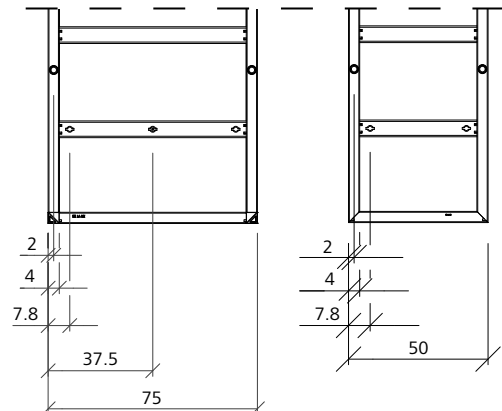
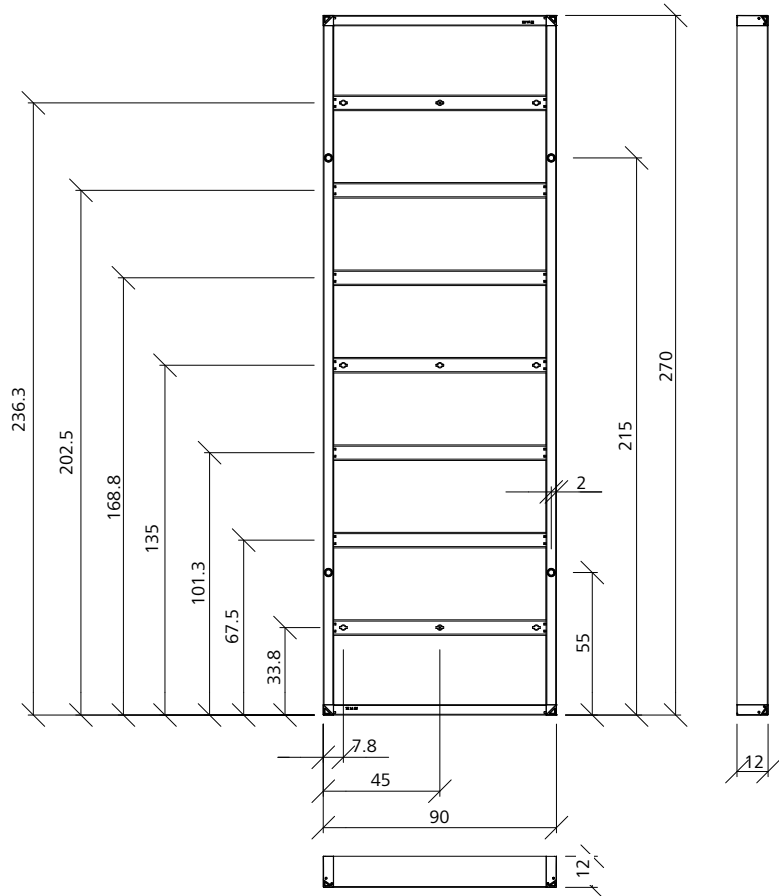
7 cross stiffeners of which 3 are multi-function profiles (welded-in nuts with DW thread)
2 tie holes per panel height.

Attention

Tie holes that are not used must always be closed with plastic plug D20.



Ref.-No.	Description / Application	m ²	kg
22-083-01	AluStar AL.....270/90	2.43	65.05
22-084-01	AluStar AL.....270/75	2.03	60.20
22-084-31	AluStar AL.....270/55	1.49	48.60
22-084-34	AluStar AL.....270/50	1.35	39.10
22-084-37	AluStar AL.....270/49	1.32	39.00
22-084-46	AluStar AL.....270/45	1.22	36.30
22-084-56	AluStar AL.....270/40	1.08	33.50
22-084-71	AluStar AL.....270/30	0.81	27.80
22-084-76	AluStar AL.....270/25	0.68	25.00
22-084-81	AluStar AL.....270/24	0.65	24.50
22-084-86	AluStar AL.....270/20	0.54	22.20



Wall formwork

StarTec / AluStar

Panel height = 135 cm AluStar

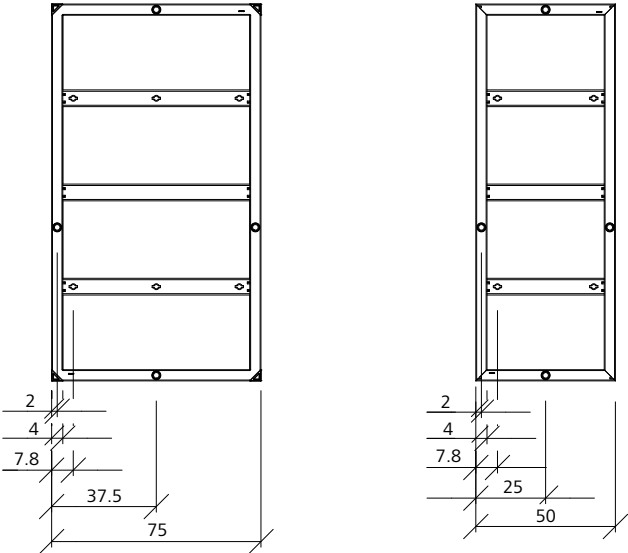
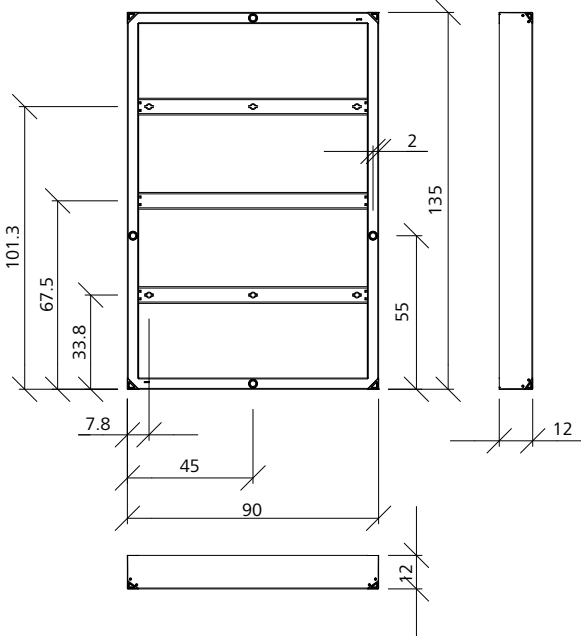
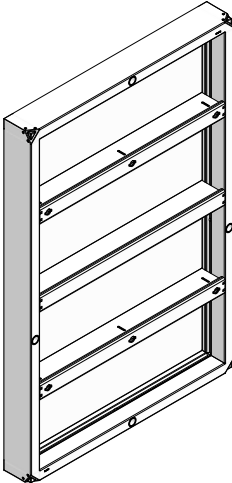
3 cross stiffeners of which 2 are multi-function profiles (welded-in nuts with DW thread)

1 tie hole per panel height (and an additional tie hole at the front area for horizontal use when forming foundations).

Attention

Tie holes that are not used must always be closed with plastic plug D20.

Ref.-No.	Description / Application	m ²	kg
22-085-01	AluStar AL..... 135/90	1.22	35.50
22-086-01	AluStar AL..... 135/75	1.01	31.20
22-086-31	AluStar AL..... 135/55	0.74	25.50
22-086-34	AluStar AL..... 135/50	0.68	20.40
22-086-37	AluStar AL..... 135/49	0.66	20.00
22-086-46	AluStar AL..... 135/45	0.61	18.90
22-086-56	AluStar AL..... 135/40	0.54	17.40
22-086-71	AluStar AL..... 135/30	0.41	14.50
22-086-76	AluStar AL..... 135/25	0.34	12.90
22-086-81	AluStar AL..... 135/24	0.32	12.60
22-086-86	AluStar AL..... 135/20	0.27	11.40



Wall formwork

StarTec / AluStar

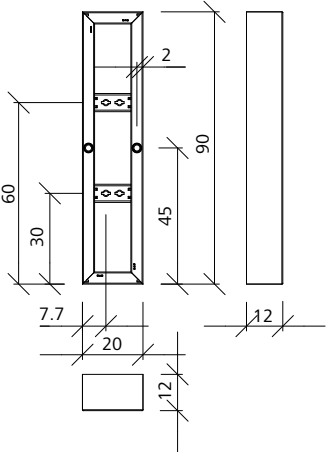
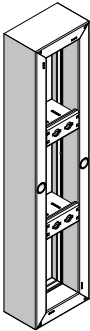
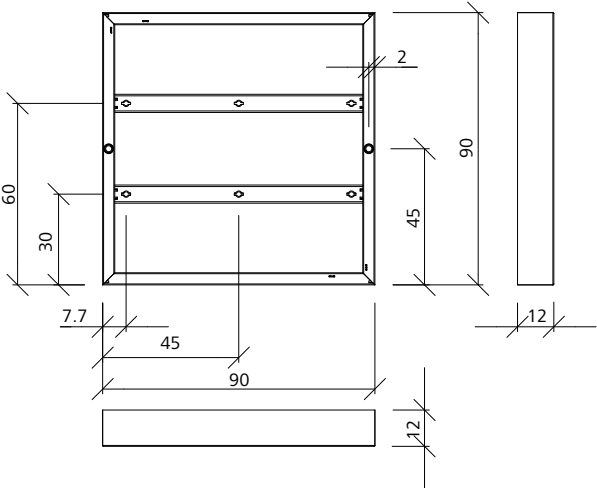
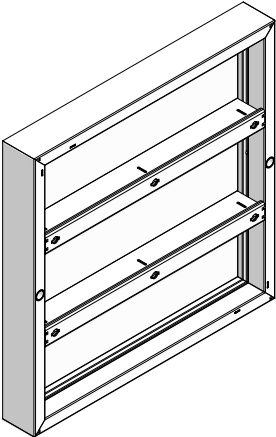
Panel height = 90 cm AluStar

2 cross stiffeners that are multi-function profiles (welded-in nuts with DW thread)
1 tie hole per panel height.

Attention

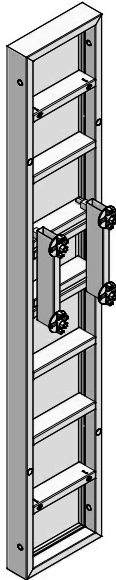
Tie holes that are not used must always be closed with plastic plug D20.

Ref.-No.	Description / Application	m ²	kg
22-087-01	AluStar AL..... 90/90	0.81	21.60
22-087-26	AluStar AL..... 90/75	0.68	18.60
22-087-46	AluStar AL..... 90/55	0.50	14.60
22-087-51	AluStar AL..... 90/50	0.45	13.60
22-087-53	AluStar AL..... 90/49	0.44	13.40
22-087-56	AluStar AL..... 90/45	0.41	12.50
22-087-61	AluStar AL..... 90/40	0.36	11.50
22-087-71	AluStar AL..... 90/30	0.27	9.50
22-087-76	AluStar AL..... 90/25	0.23	8.60
22-087-81	AluStar AL..... 90/24	0.22	8.40
22-087-86	AluStar AL..... 90/20	0.18	7.60

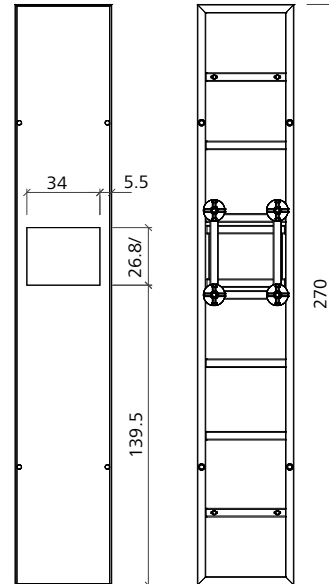


StarTec panel 270/45 with concreting window

Is used to control the pouring process when control is not possible from above.

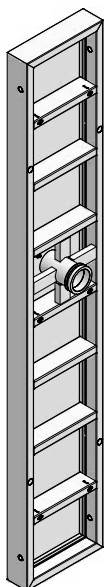


Ref.-No.	Description / Application	m ²	kg
21-213-60	StarTec AL		
	with concreting window ... 270/45	1.22	75.00

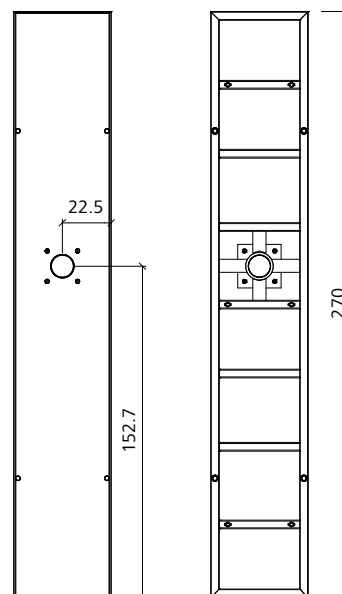


StarTec panel AL 17, 270/45 with filling nozzle

Is used when concrete cannot be poured from above, e.g. tunnel formwork. Connection with a manual gate valve. Operating pressure: 20 bar.

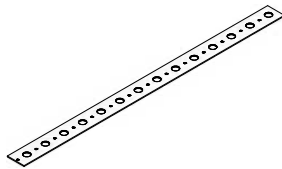


Ref.-No.	Description / Application	m ²	kg
21-213-55	StarTec AL		
	with filling nozzle ... 270/45	1.22	73.00
29-914-50	Manual gate valve SK 100 - 4½		19.00
29-207-60	Lever coupling SK-H DN 100 - 4½		3.80
29-207-50	Filling nozzle cleaner SK 100/800		7.20
62-031-55	Sealing washer A SK 100 - 4½		0.10
29-914-45	Manual gate valve SK 125 - 5½		15.60
29-207-65	Lever coupling SK-H DN 125 - 5½		5.10
29-207-55	Filling nozzle cleaner SK 125/800		9.60
62-031-56	Sealing washer A SK 125 - 5½		0.20

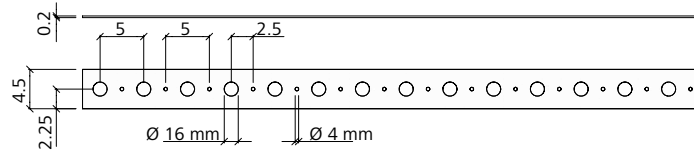


Foundation tape

Galvanized. Hole spacing 50 mm; hole Ø 16 mm, 50 m. Adm. tractive force 10 kN. To be cut at hole center. Serves together with the appropriate tensioners as bottom anchoring when panels are assembled in horizontal position.

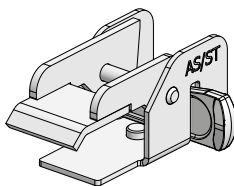


Ref.-No.	Description / Application	m ²	kg
29-307-50 Foundation tape 50 m.....		20.00

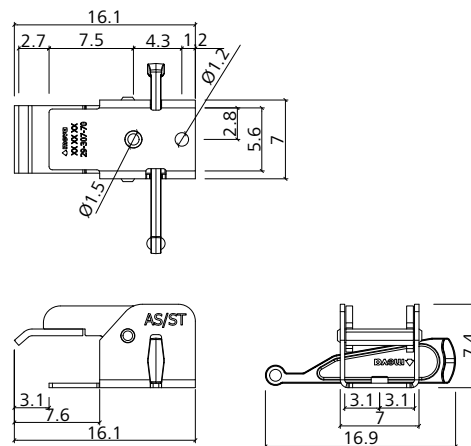


Tensioner AS/ST for foundation tape

Galvanized. Connects the foundation tape to AluStar or StarTec panels and serves as bottom anchoring when panels are assembled in horizontal position. Two tensioners are required per anchoring position.



Ref.-No.	Description / Application	m ²	kg
29-307-70 Tensioner AS/ST for foundation tape		1.35



Trolley for foundation tape

Not shown. Galvanized. Is used to transport and cut foundation tape to length. Suitable for one roll. Pneumatic wheels.

Ref.-No.	Description / Application	m ²	kg
29-307-55 Trolley for foundation tape.....		21.80

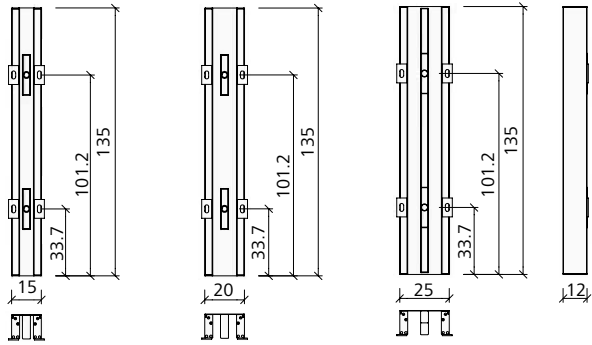
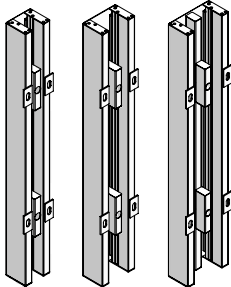
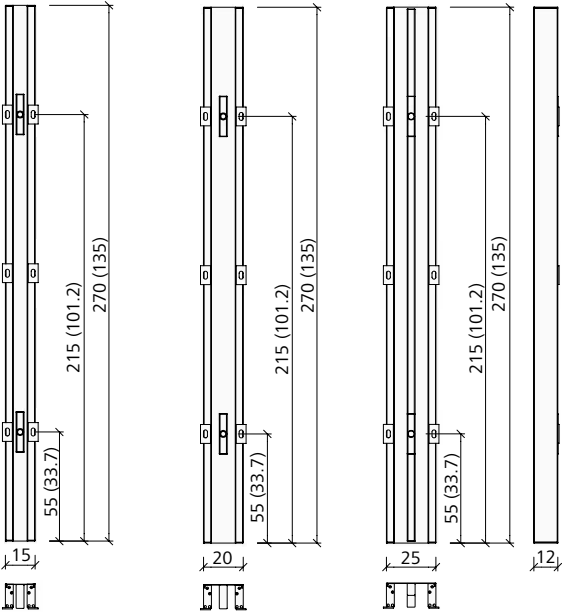
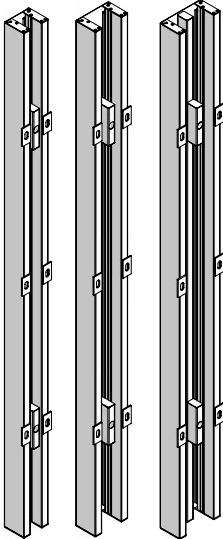
Wall formwork

StarTec / AluStar

AluStar radius panel

Steel construction with steel sheeting. Primed and cavity-sealed. Allows the AluStar and StarTec formwork to be used as polygonal formwork.

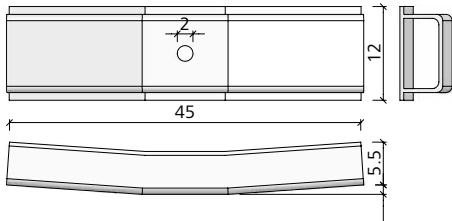
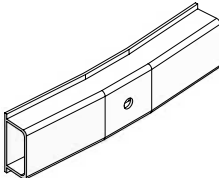
Ref.-No.	Description / Application	m ²	kg
71-500-00	AluStar RP 270/15	0.41	38.90
71-500-10	AluStar RP 270/20	0.54	42.70
71-500-20	AluStar RP 270/25	0.68	50.00
71-500-40	AluStar RP 135/15	0.20	21.10
71-500-50	AluStar RP 135/20	0.27	23.00
71-500-60	AluStar RP 135/25	0.34	26.40



AS tensioning bow

Takes up the anchor load when forming polygonal constructions with radius panels.

Ref.-No.	Description / Application	m ²	kg
21-500-95	AS-tensioning bow		5.40



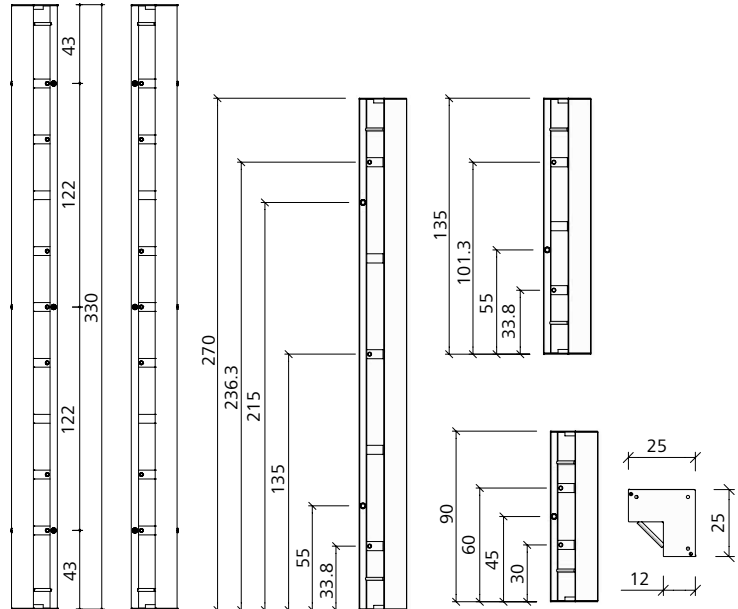
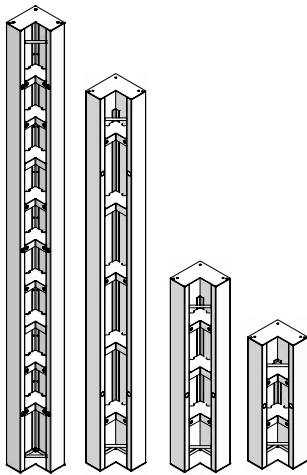
Wall formwork

StarTec / AluStar

StarTec inside corner

For 90° corners. Side length 25 cm. Steel frame with tie holes and alkus facing or exchangeable steel sheet.

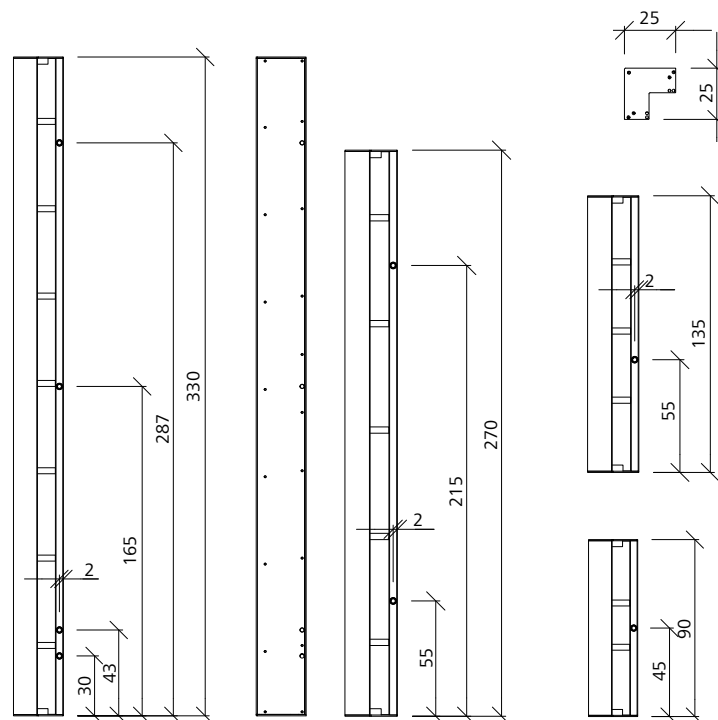
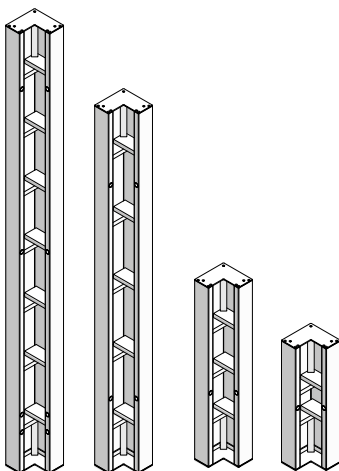
Ref.-No.	Description / Application	m ²	kg
21-251-00	StarTec AL-IC.....330/25	1.65	88.50
21-251-05	StarTec AL-IC.....270/25	1.35	68.00
21-251-35	StarTec AL-IC.....135/25	0.68	38.00
21-251-65	StarTec AL-IC.....90/25	0.45	27.00



AluStar inside corner AL

Aluminium with high-quality annealed powder coating. For 90° corner configurations. Side length 25 cm. With tie holes.

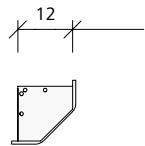
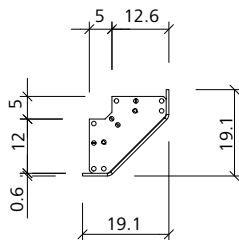
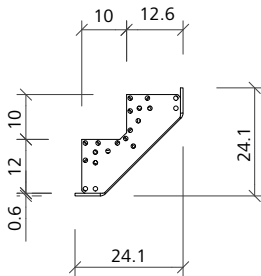
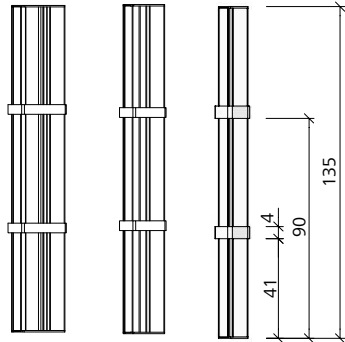
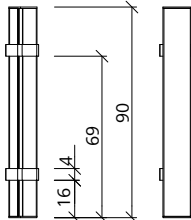
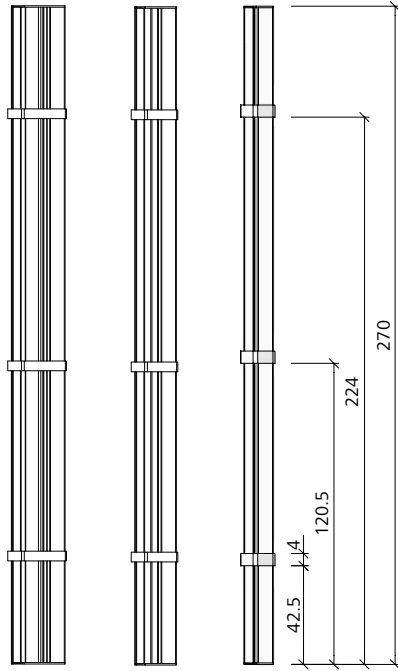
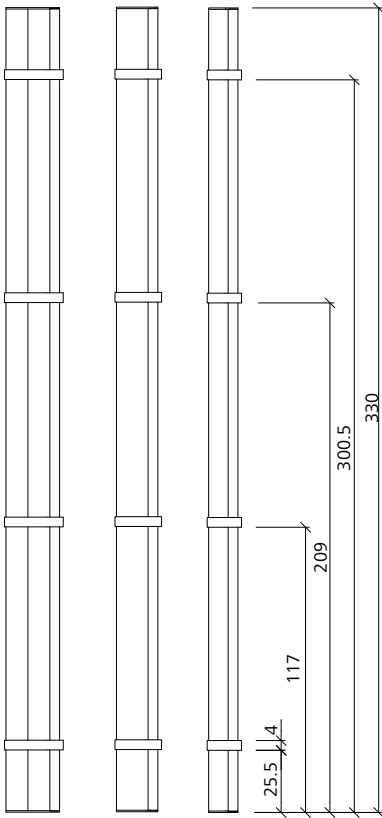
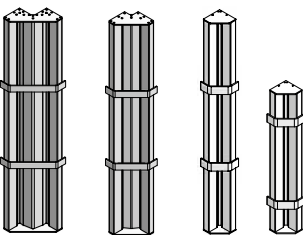
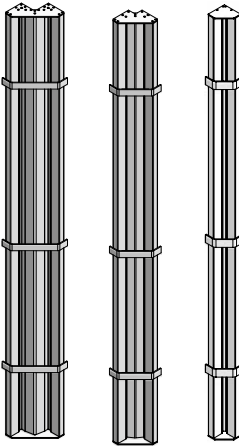
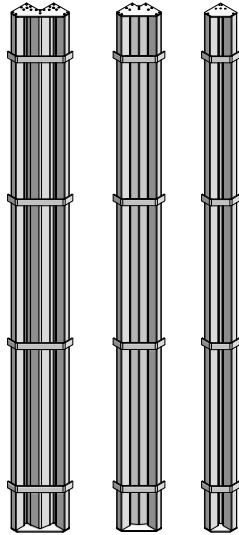
Ref.-No.	Description / Application	m ²	kg
22-150-22	AluStar AL-IC.....330/25	1.65	42.00
22-150-24	AluStar AL-IC.....270/25	1.35	34.10
22-150-34	AluStar AL-IC.....135/25	0.68	18.10
22-150-44	AluStar AL-IC.....90/25	0.45	12.60



AS/ST outside corner

Aluminium. Facing 0 cm, 5 cm or 10 cm wide on both sides, integrated chamfer strip. Provides together with AluStar or StarTec panels and AS assembly locks a fast and tight outside corner assembly for 90° angles.

Ref.-No.	Description / Application	m ²	kg
22-140-48	AS/ST outside corner alu 330/10	0.66	31.93
22-140-15	AS/ST outside corner alu 330/5	0.33	19.71
22-140-10	AS/ST outside corner alu 330		15.60
22-140-50	AS/ST outside corner alu 270/10	0.54	26.30
22-140-25	AS/ST outside corner alu 270/5	0.27	16.20
22-140-20	AS/ST outside corner alu 270		13.00
22-140-52	AS/ST outside corner alu 135/10	0.27	13.60
22-140-35	AS/ST outside corner alu 135/5	0.14	8.50
22-140-30	AS/ST outside corner alu 135		6.80
22-140-40	AS/ST outside corner alu 90		4.80

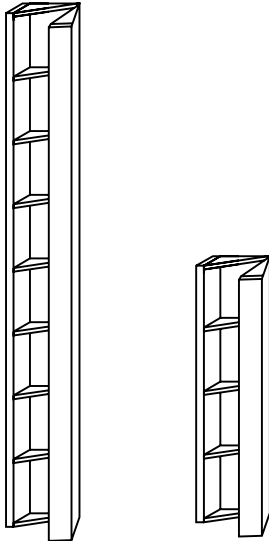


Wall formwork

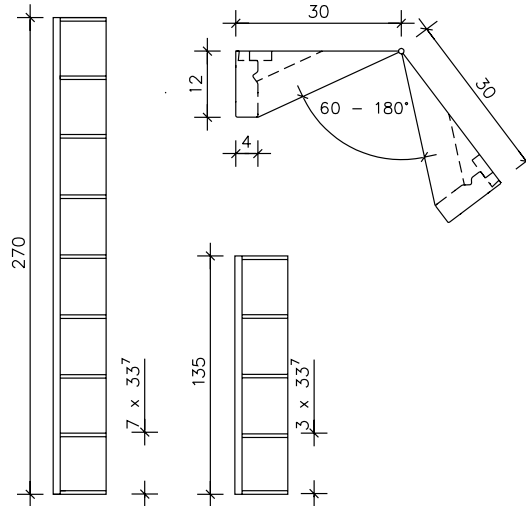
StarTec / AluStar

AS hinged inside corner

Steel construction with steel sheeting. Side length 30 cm. Adjustable angle 60° - 180°.

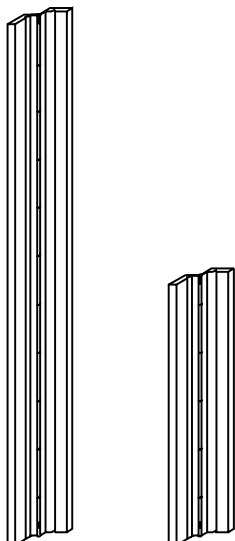


Ref.-No.	Description / Application	m ²	kg
21-270-20	StarTec HIC..... 330/30	1.98	118.70
21-270-00	AluStar HIC 270/30	1.62	75.00
21-270-10	AluStar HIC 135/30	0.81	38.20

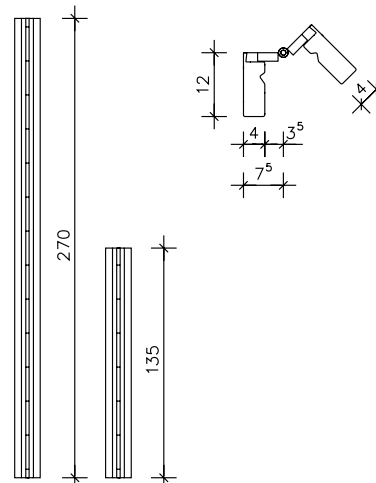


AS hinged outside corner

Steel construction with steel sheeting. Side length 7.5 cm. Adjustable angle 60° - 180°.

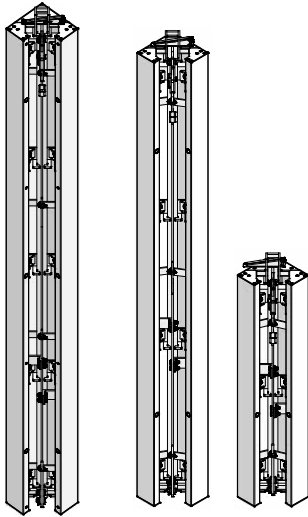


Ref.-No.	Description / Application	m ²	kg
21-280-20	StarTec HOC..... 330/7,5	0.50	60.30
21-280-00	AluStar HOC..... 270/7,5	0.41	47.70
21-280-10	AluStar HOC..... 135/7,5	0.20	23.80

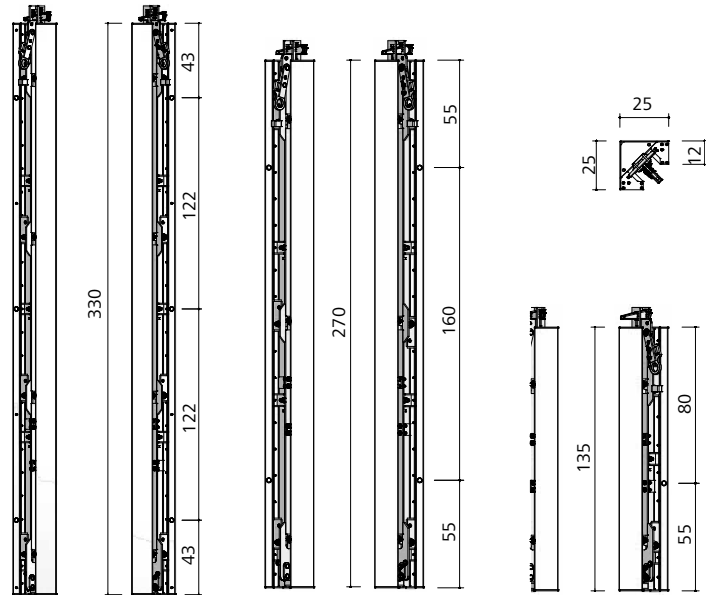


StarTec stripping corner

Steel construction with steel sheeting. Side length 25 cm. With tie holes. When the bell-crank lever is pushed upwards with a crow-bar, the corner is removed 17.5 mm away from the concrete and the formwork 35 mm away from the concrete on both sides.



Ref.-No.	Description / Application	m ²	kg
21-262-05	StarTec SC 330/25	1.65	172.00
21-262-10	StarTec SC 270/25	1.35	146.00
21-262-30	StarTec SC 135/25	0.68	82.00



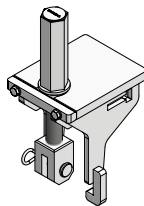
Adhesive tape, red

Not shown. Reinforced adhesive tape, red, 50 mm wide, 50 running metres. Total thickness: 270 µm. Natural rubber adhesive on one side. PE-coated.

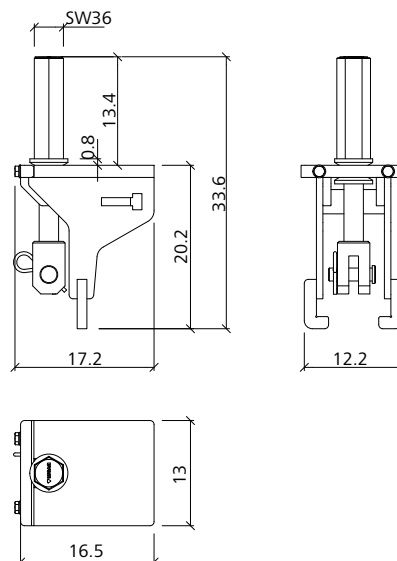
Ref.-No.	Description / Application	m ²	kg
41-912-10	Adhesive tape 50 m, red	0.83	

Stripping corner tool

Is used to easily activate the stripping corner from above. It can be activated and returned to its original position. It is operated with a power screwdriver, a ratchet wrench or a spanner (SW 36).

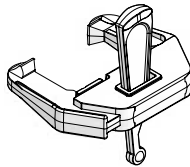


Ref.-No.	Description / Application	m ²	kg
29-306-32	Stripping corner tool	6.60	

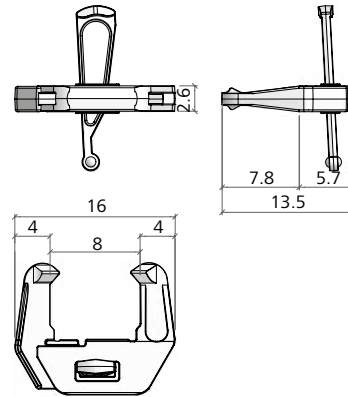


AS assembly lock

Galvanized. Tightly connects and aligns AluStar and StarTec panels. Clamping length 8 cm.

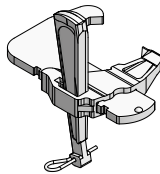


Ref.-No.	Description / Application	m ²	kg
29-205-00	AS-assembly lock		2.00

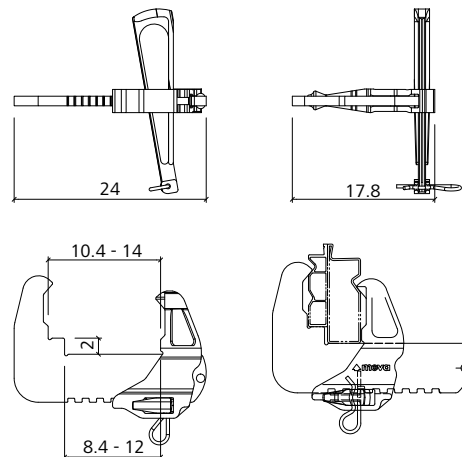


Transition lock AF-ST/AS

Is used as a connecting assembly lock at the joint of AF panels with ST or AS panels. Can be used on the right or left side of inside corner areas by turning the sliding part.

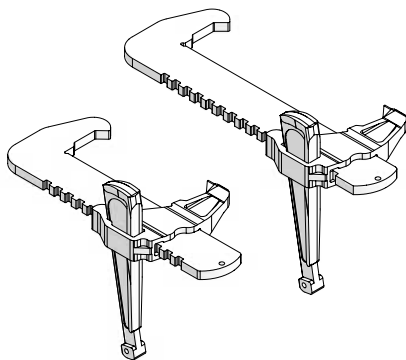


Ref.-No.	Description / Application	m ²	kg
29-103-30	Transition lock AF - ST/AS		3.20

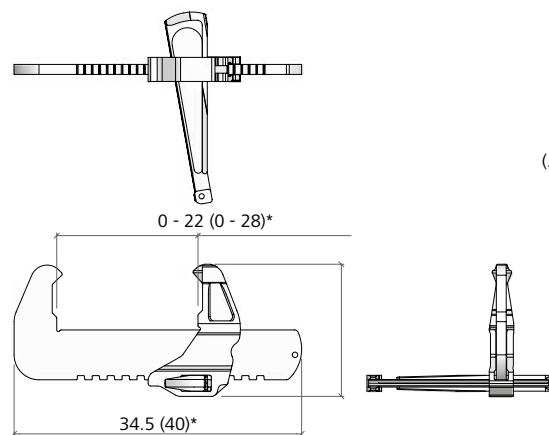


Uni-assembly lock

Galvanized. For stepless compensation. Clamping length 22 cm or 28 cm.



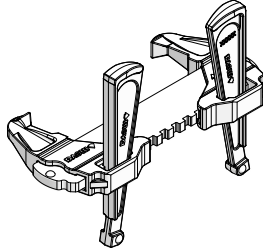
Ref.-No.	Description / Application	m ²	kg
29-400-85	Uni-assembly lock 22		3.60
29-400-90	Uni-assembly lock 28		3.90



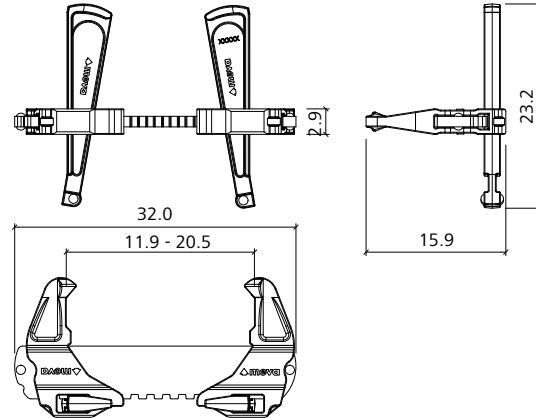
(...)*= 29-400-90

RS-assembly lock

Galvanized, For stepless length compensation. Clamping length is 11.9 to 20.5 cm for stepless compensation.



Ref.-No.	Description / Application	m ²	kg
23-807-70 RS-assembly lock.....		4.70



MEVA chamfer strip 35/10

Not shown. PVC. For column formwork and corner configurations. With rubber lip and strip. Standard length: 3,00 m.

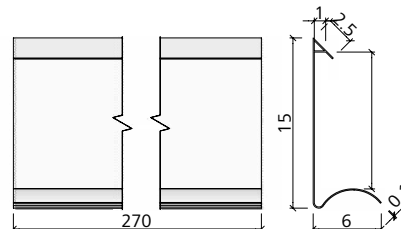
Ref.-No.	Description / Application	m ²	kg
29-902-85 MEVA chamfer strip 35/10, PVC, (l = 3,00 m).....		0.20

Chamfer strip 270

PVC. 15 mm chamfer strip with 12 cm clip to enclose a 12 cm profile. Suited for column formwork built with Mammut, StarTec or AluStar panels. 2,70 m long.

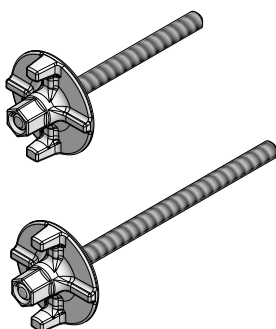


Ref.-No.	Description / Application	m ²	kg
29-902-95 Chamfer strip 270.....		2.00

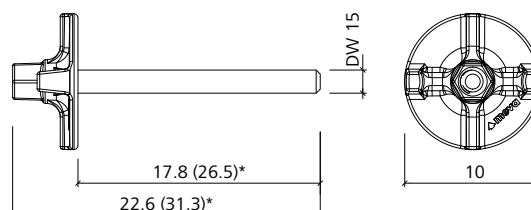


Flange screw

Galvanized. DW thread Ø 15 mm. Is used to attach accessories, e.g. alignment rails, brace frames, push-pull props, etc. Length of thread 18 cm or 27 cm.



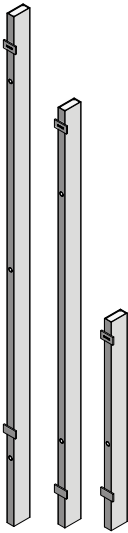
Ref.-No.	Description / Application	m ²	kg
29-401-10 Flange screw 18.....		1.02
29-401-12 Flange screw 28.....		1.28



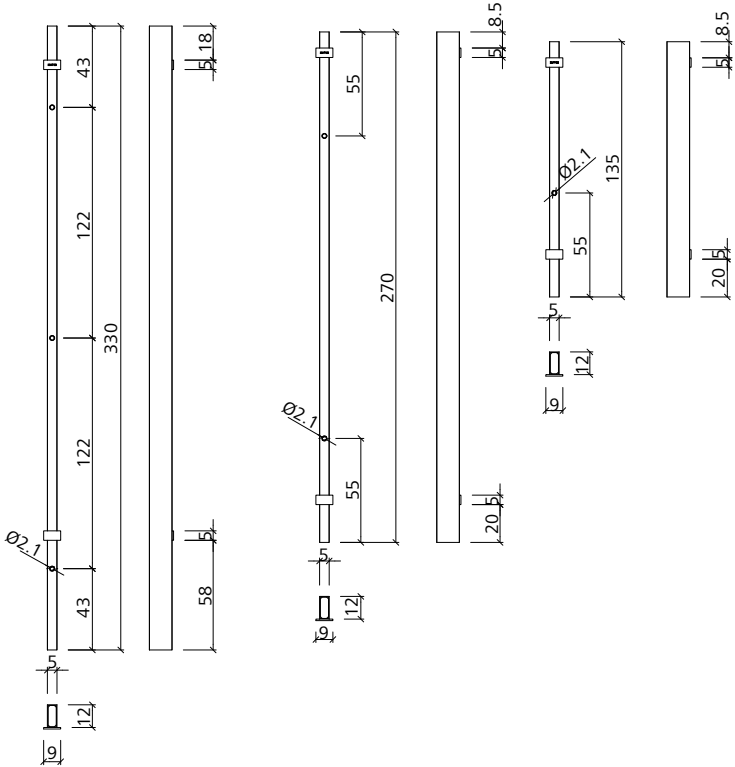
(...)* = 29-401-12

AS/ST aluminium filler

Aluminium with high-quality annealed powder coating. With tie holes. For length compensation of 5 cm, especially in corners. 2 or 3 Uni-assembly locks are required for each filler.

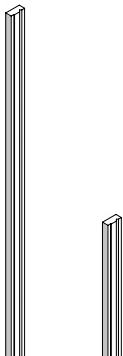


Ref.-No.	Description / Application	m ²	kg
21-270-57	AS/ST aluminium filler 330/8	0.26	11.00
21-270-56	AS/ST aluminium filler 330/6	0.20	9.90
21-270-58	AS/ST aluminium filler 330/5	0.17	9.41
21-270-54	AS/ST aluminium filler 330/4	0.13	8.70
21-270-62	AS/ST aluminium filler 270/8	0.22	9.10
21-270-61	AS/ST aluminium filler 270/6	0.16	8.10
21-270-60	AS/ST aluminium filler 270/5	0.14	7.73
21-270-59	AS/ST aluminium filler 270/4	0.11	7.20
21-270-67	AS/ST aluminium filler 135/8	0.11	4.80
21-270-66	AS/ST aluminium filler 135/6	0.08	4.20
21-270-65	AS/ST aluminium filler 135/5	0.07	4.00
21-270-64	AS/ST aluminium filler 135/4	0.05	3.70

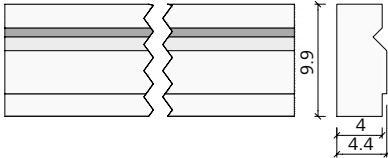


AS/ST timber profile

Timber profile with groove. Is used for job-built fillers of 14 cm or more or to connect job-built formwork with 21 mm forming face. 2 or 3 AS assembly locks are required for each timber profile. Delivery and weight by pairs.



Ref.-No.	Description / Application	m ²	kg
29-200-07	AS/ST timber profile 330/21	6.40	
29-200-03	AS/ST timber profile 270/21	5.50	
29-200-05	AS/ST timber profile 135/21	2.70	

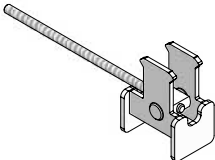


Wall formwork

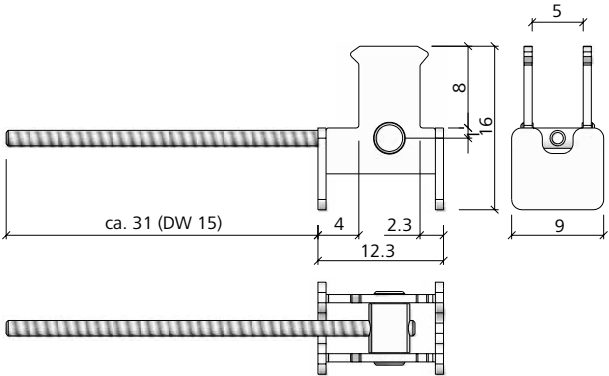
StarTec / AluStar

Stop end fixture 23/40

Yellow chromated. To attach alignment rails to the panels when stop ends are formed; or it is used in connection with multi-purpose panels (EcoAs, StarTec) to form outer corners or abutments. It is suited for the frame profiles of EcoAs and AluFix (23 mm) and AluStar/StarTec (40 mm). A flange nut 100 or an articulated flange nut 15/120 are required in addition.

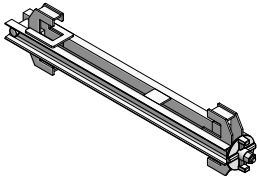
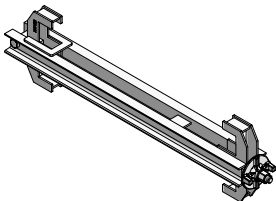


Ref.-No.	Description / Application	m ²	kg
79-402-85	Stop end fixture 23/40 (yellow)		3.00

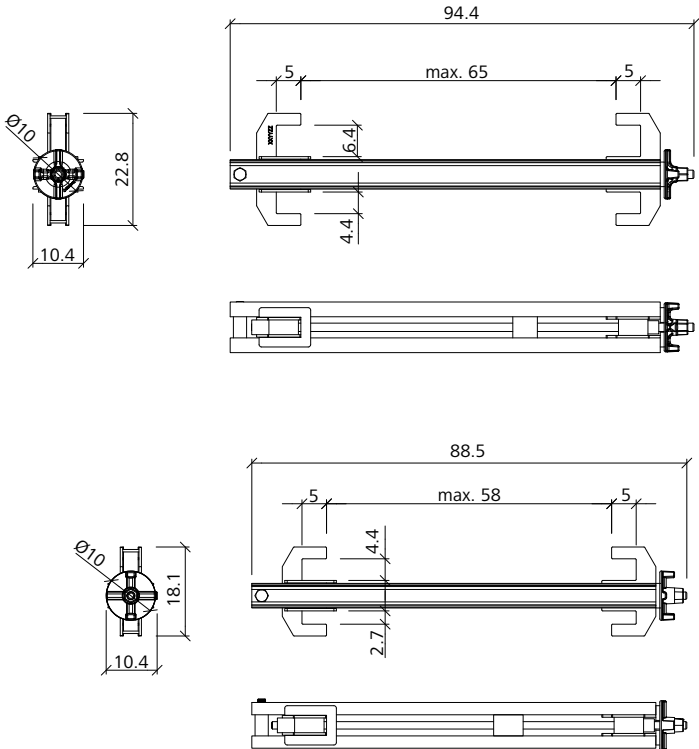


Stop end bracket

Galvanized. Is used to form stop ends. Stop end bracket 23/40 for wall thickness up to 30 cm. Stop end bracket 40/60 for wall thickness up to 40 cm.



Ref.-No.	Description / Application	m ²	kg
29-105-50	Stop end bracket 40/60	15.10	
29-105-45	Stop end bracket 23/40	13.40	



Plug D20

Is used to close unused tie holes (AluFix, EcoAs, AluFix, AluStar and StarTec).

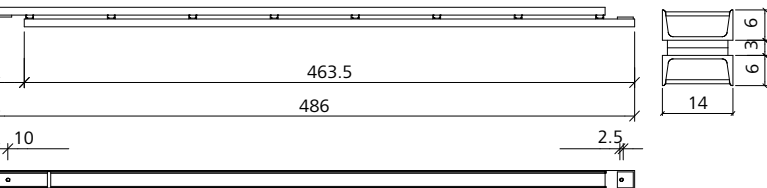
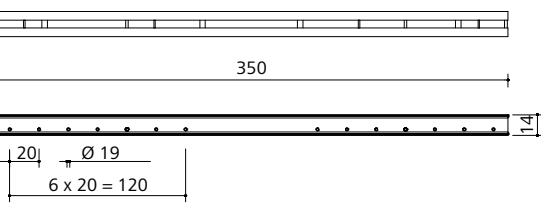
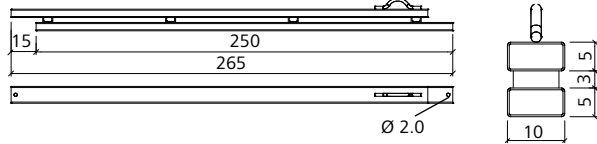
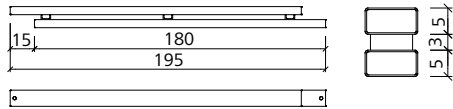
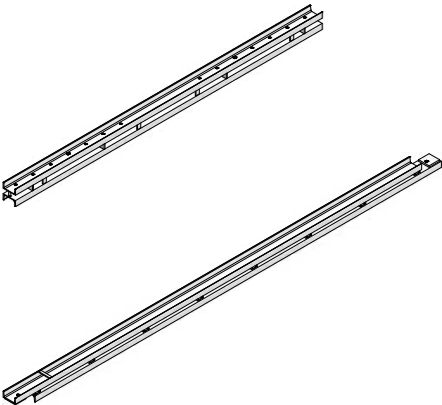
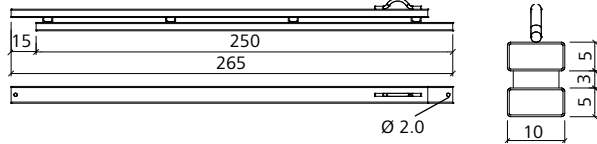
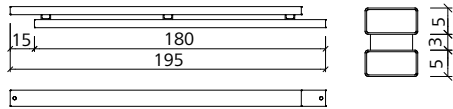
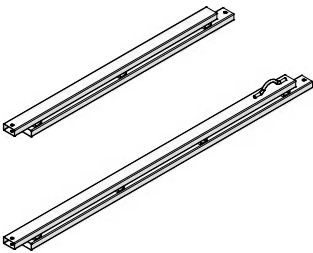
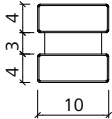
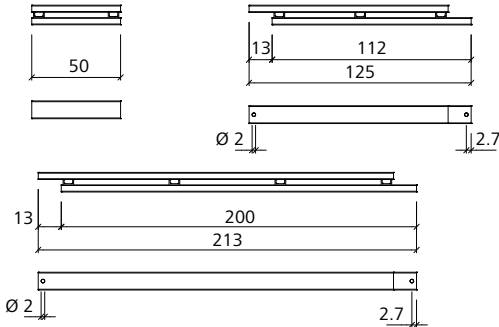
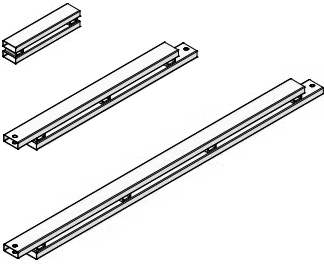


Ref.-No.	Description / Application	m ²	kg
29-902-63	Plug D20 red	0.01	
29-902-62	Plug D20 without imprint	0.01	

Alignment rail

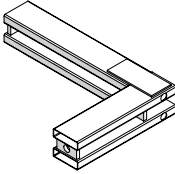
Galvanized. Is used to brace panel joints for crane ganging, bridge problem areas, brace compensation areas and build stop ends with stop end fixtures. Is attached to the formwork with flange screws.

Ref.-No.	Description / Application	m ²	kg
29-201-73	AS-alignment rail 50, galv.	5.20	
29-201-75	AS-alignment rail 125, galv.	10.50	
29-400-92	M-alignment rail 180, galv.	24.80	
29-201-80	AS-alignment rail 200, galv.	19.00	
29-402-50	M-alignment rail 250, galv.	34.50	
29-402-45	M-alignment rail 350, reinforced	124.00	
29-402-38	M-alignment rail 450, reinforced	159.00	

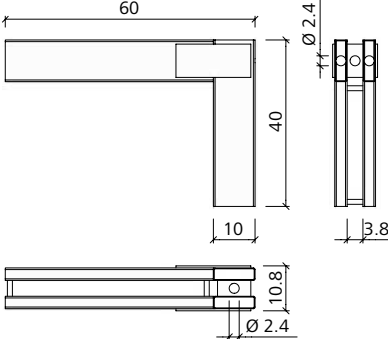


Corner angle 40/60

Galvanized. Side lengths 40 and 60 cm. For inside and outside corners.

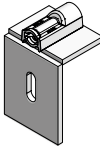


Ref.-No.	Description / Application	m ²	kg
29-402-25	Corner angle 40/60		9.40

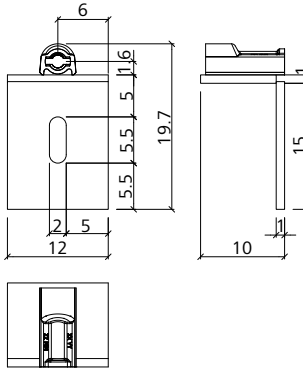


Support angle for walkway brackets

Galvanized. Is used to support a walkway bracket if the DW-nut on the multi-function bracket if the DW-nut on the multi-function profile is covered by an alignment rail. In this case the mounting bracket is fixed to the panel through the alignment rail by a separate flange screw.



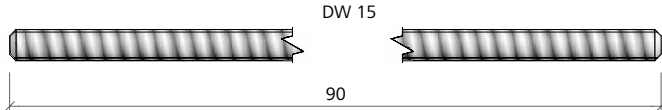
Ref.-No.	Description / Application	m ²	kg
29-106-95	Support angle for walkway brackets		2.70



Tie rod DW 15/90

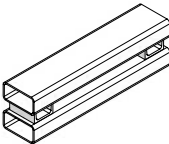
Uncoated, not weldable. DW thread Ø 15 mm; adm. load capacity 90 kN (DIN 18216); is used to tie panels of a double-sided formwork.

Ref.-No.	Description / Application	m ²	kg
29-900-80	Tie rod DW 15/90		1.25

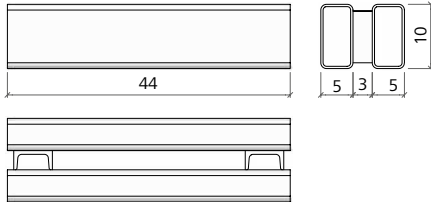


M-cross stiffener 44

Galvanized. Short alignment rail that braces panel joints for crane ganging and to reinforces filler areas.

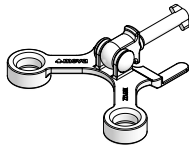


Ref.-No.	Description / Application	m ²	kg
29-401-02	M cross stiffener 44		6.30

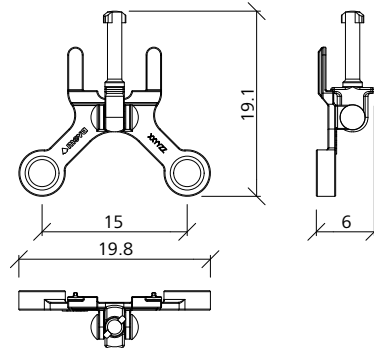


Tie rod fixture

Galvanised. To hold DW tie rods with articulated flange nut, XT tie rods or XT taper ties. Can be used with horizontal or vertical MEVA wall formwork panels.

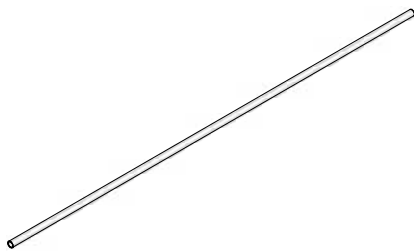


Ref.-No.	Description / Application	m ²	kg
29-927-05	Tie rod fixture Ø35		1.20

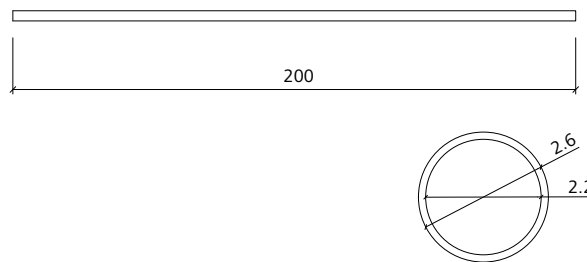


Plastic tube

Plastic spacer tube for tie holes. Two cones are also required per tie hole. D22/200: internal Ø 22 mm, external Ø 28 mm, standard length 2.00 m.

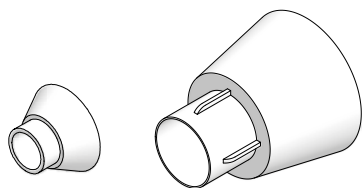


Ref.-No.	Description / Application	m ²	kg
29-902-30	Plastic tube D22/200		0.35

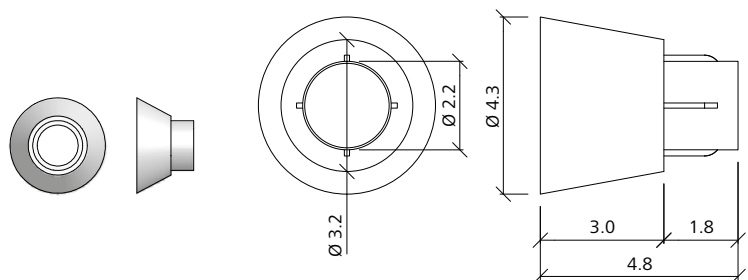


Cone for plastic tube

Available with 10 mm or 30 mm covering.



Ref.-No.	Description / Application	m ²	kg
29-902-40	Cone for plastic tube D22/10 (10 mm covering)	0.01	
29-902-50	Cone for plastic tube D22/30 (30 mm covering)	0.01	



Plug

Is used to close tie holes in the wall when plastic tubes D22 or D32 are applied. Two plugs are required per tie hole.



Ref.-No.	Description / Application	m ²	kg
29-902-70	Plug D22	0.01	

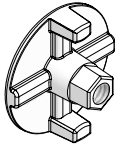


Wall formwork

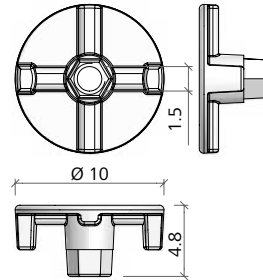
StarTec / AluStar

Flange nut 100

Forged, galvanized. DIN 18216. DW thread \varnothing 15 mm, plate \varnothing 100 mm, SW 27. Admissible load 90 kN.

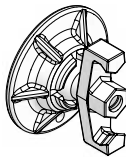


Ref.-No.	Description / Application	m ²	kg
29-900-20	Flange nut 100 (SW 27, forged)		0.70

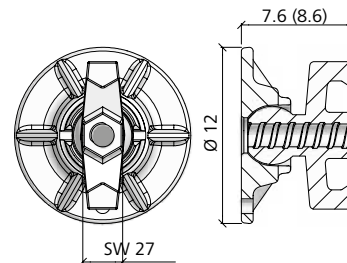


Articulated flange nut 15/120

Forged, galvanized. DIN 18216. DW thread \varnothing 15 mm, plate \varnothing 120 mm, max. inclination 10°, SW 27. Max. load capacity 90 kN. Reduces wear of panel coating.

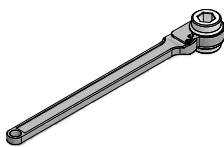


Ref.-No.	Description / Application	m ²	kg
29-900-10	Articulated flange nut 15/120		1.81
29-900-18	Articulated flange nut AF - ST/AS		2.32

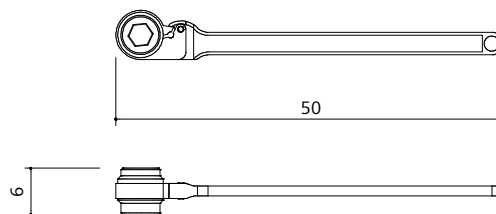


Spanner SW 27

Inset yellow chromated. Spanner width (SW) 27 mm. Is used to tighten and loosen flange nuts 100, articulated flange nuts 15/120 and flange screws.

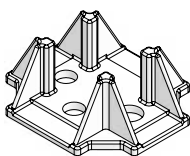


Ref.-No.	Description / Application	m ²	kg
29-800-10	Spanner SW 27		1.80

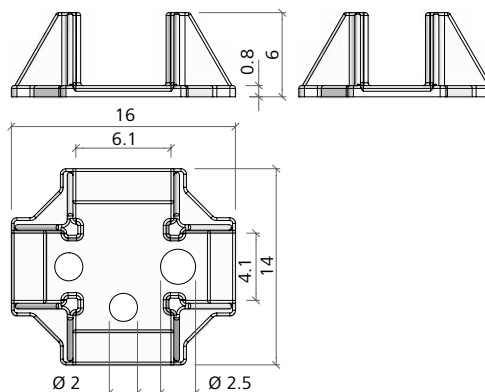


Uni-tie claw

Galvanized. Permits tying directly above or beside the panels. Is suited for panels with profile widths of 40 and 60 mm.

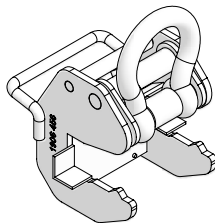


Ref.-No.	Description / Application	m ²	kg
29-901-41	Uni-tie claw		1.52

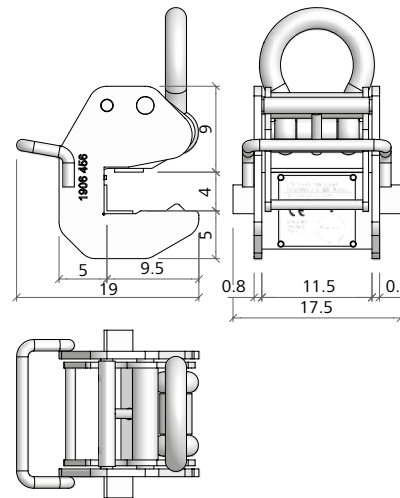


AS crane hook

Is used to move panels. Self-locking. Load capacity: 15 kN (1.5 tons). Always 2 crane hooks required per gang. For use and safety check see the Operating Instructions.

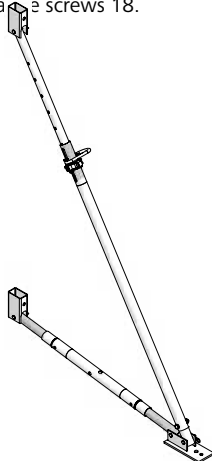


Ref.-No.	Description / Application	m ²	kg
29-203-89	AS-crane hook		5.95

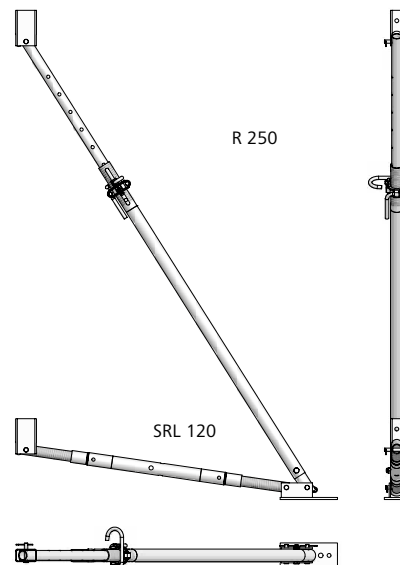


Brace frame 250

Galvanized. Available with formwork-prop connector. Is used to align and brace the formwork. Consists of a push-pull prop R 250 (190 - 320 cm), a brace SRL 120 (90 - 150 cm) and a double-jointed footplate. The formwork-prop connectors are attached to the formwork with flange screws 18.

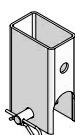


Ref.-No.	Description / Application	m ²	kg
29-109-20	Brace frame 250 with formwork-prop connector		31.50

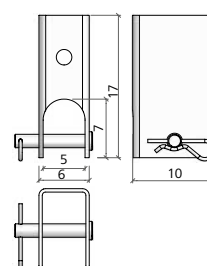


Formwork-prop connector

Galvanized. Connects braces, brace frames and push-pull props (max. Ø 48 mm) to the multi-function profile with a flange screw 18. Delivery includes head bolt 16/90 and cotter pin 4.



Ref.-No.	Description / Application	m ²	kg
29-804-85	Formwork-prop connector		1.65

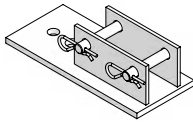


Wall formwork

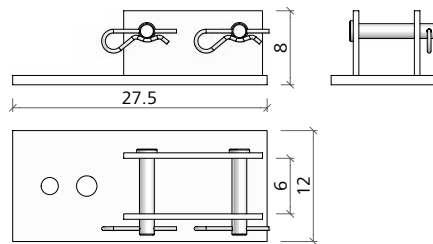
StarTec / AluStar

Double-jointed foot plate

Galvanized. Delivery includes head bolt 16/90 and cotter pin 4. Serves as foot plate for brace frames 250 and as connector for braces and push-pull props up to Ø 57 mm.

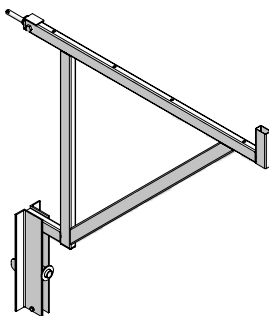


Ref.-No.	Description / Application	m ²	kg
29-402-32 Double-jointed foot plate (prop diam. up to 57 mm).....	4.00	

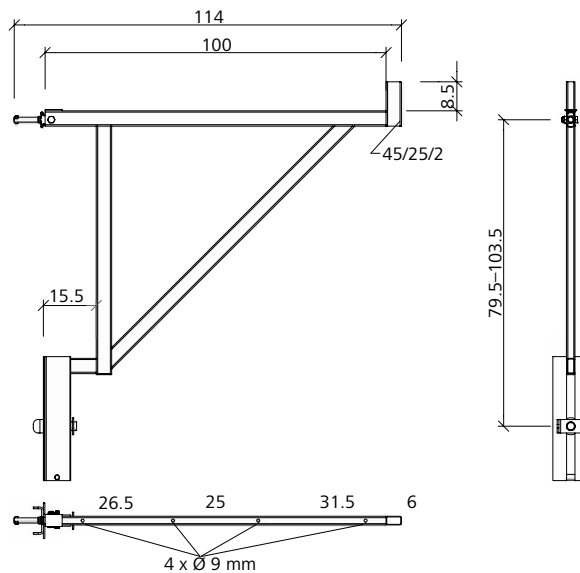


Walkway bracket

Galvanized, yellow, pluggable. Is used as working and safety scaffold. Is attached to the multi-function profile and secured to the multi-function profile below with a flange screw 18. The planking can be mounted to the brackets. Working width approx. 90 cm. MEVA Guardrailing post is also required. Bracket spacing depends on type of planking (DIN 4420).

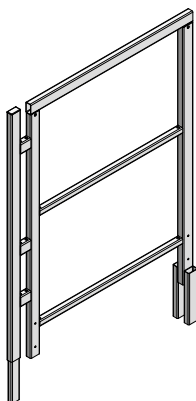


Ref.-No.	Description / Application	m ²	kg
29-106-00 Walkway bracket 90 (yellow), galv.....	10.30	

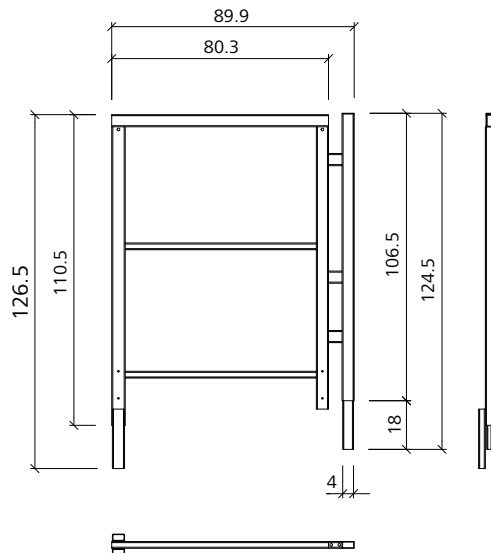


Side railing

Galvanized. Is plugged into the walkway bracket.



Ref.-No.	Description / Application	m ²	kg
29-108-20 Side railing 90/100, galv.....	12.30	

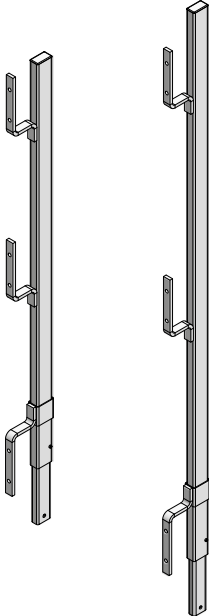


Wall formwork

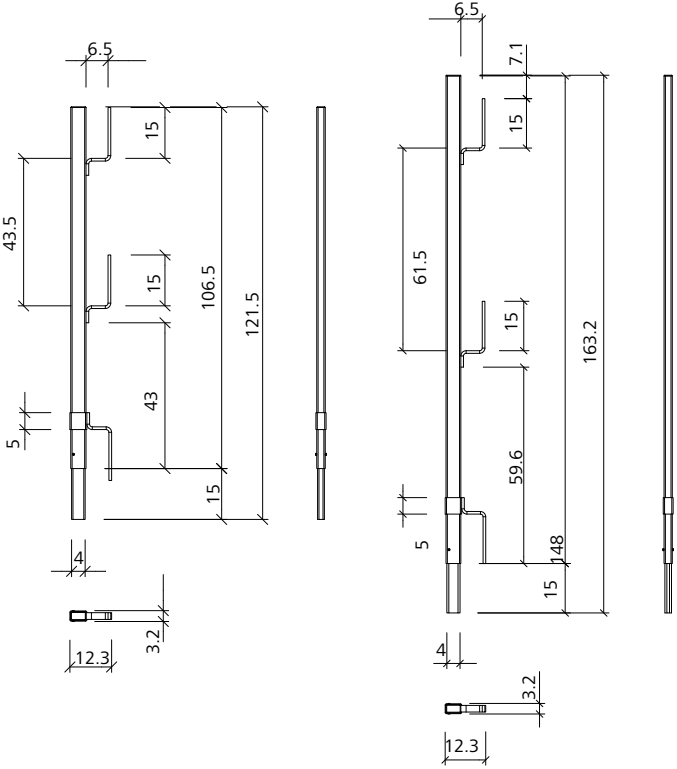
StarTec / AluStar

Guardrailing post

Galvanized. Is plugged into the walkway bracket.



Ref.-No.	Description / Application	m ²	kg
29-106-75	Guard-railing post 100		3.70
29-106-85	Guard-railing post 140		4.70

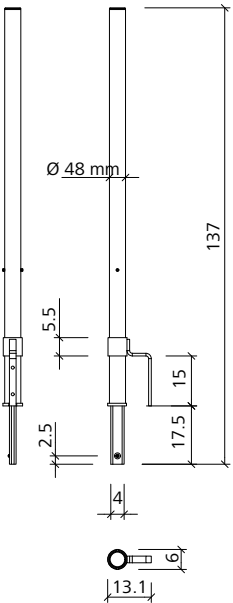


Guardrailing post 48

Galvanized. With manifold to attach it to the walkway bracket, designed with tube Ø 48 mm to attach tube couplers.

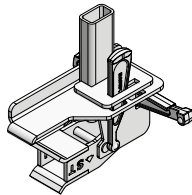


Ref.-No.	Description / Application	m ²	kg
29-106-80	Guard-railing post 48/120 (UK)		5.50

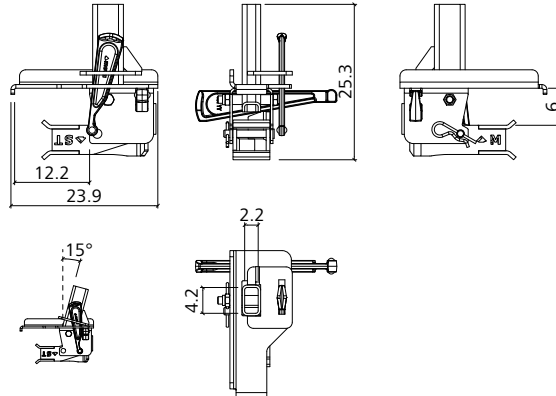


Tilting bracket 40/60

Galvanised. Used to attach MEVA guardrailing posts to create a fall protection system. It can be set up vertically to facilitate the installation of safety meshes or railing boards or inclined by 15° to create a larger working area. Secured with a wedge to the frame profile of 40 and 60 mm.

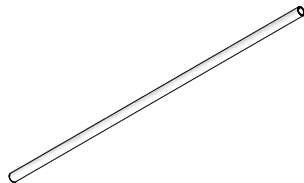


Ref.-No.	Description / Application	m ²	kg
29-920-82	Tilting bracket 40/60		4.90



Scaffold tube

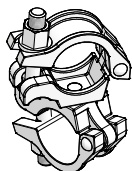
Galvanized. Is used as hand-rail / mid-rail in combination with guardrailing post 48.



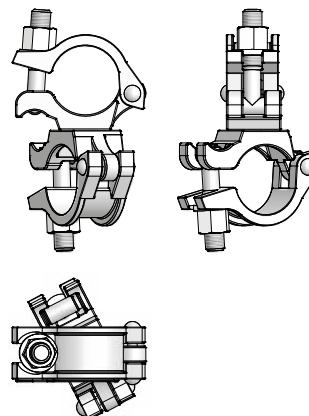
Ref.-No.	Description / Application	m ²	kg
29-412-23	Scaffold tube 48/200		9.40
29-412-26	Scaffold tube 48/300		14.10
29-412-27	Scaffold tube 48/400		18.80
29-412-25	Scaffold tube 48/500		23.50
29-412-28	Scaffold tube 48/600		28.20

Swivel-joint coupler 48/48

Galvanized. Connects 2 scaffold tubes with Ø 48.3 mm at any angle required.



Ref.-No.	Description / Application	m ²	kg
29-412-52	Swivel-joint coupler 48/48		1.20

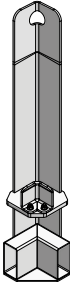


Wall formwork

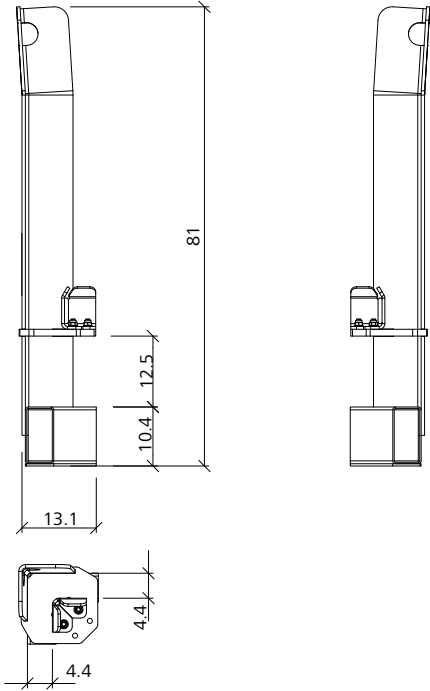
StarTec / AluStar

Stacking angle 60/40/23

Steel, galvanized. Used to stack and transport two to five wall formwork panels of the same size with frame profile widths of 60 mm, 40 mm or 23 mm. Four stacking angles 60/40/23 are required for each panel stack. The permissible load capacity per stacking angle is 15 kN (1.5 t). Refer to the stacking angle Operating Instructions for application and safety test.

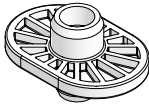


Ref.-No.	Description / Application	m ²	kg
29-305-45	Stacking angle 60/40/23		9.60



Safety plug stacks

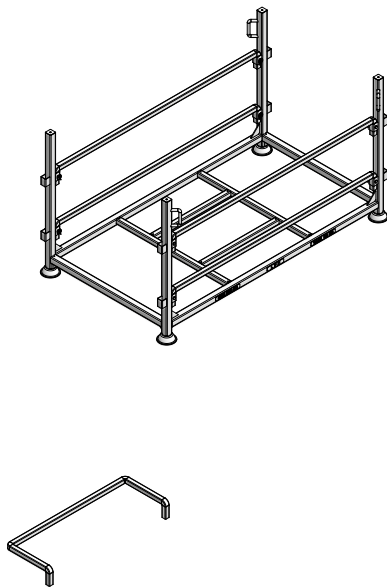
Secures stacked AluStar and StarTec panels. Black bolt for AluStar, grey one for StarTec 270/240.



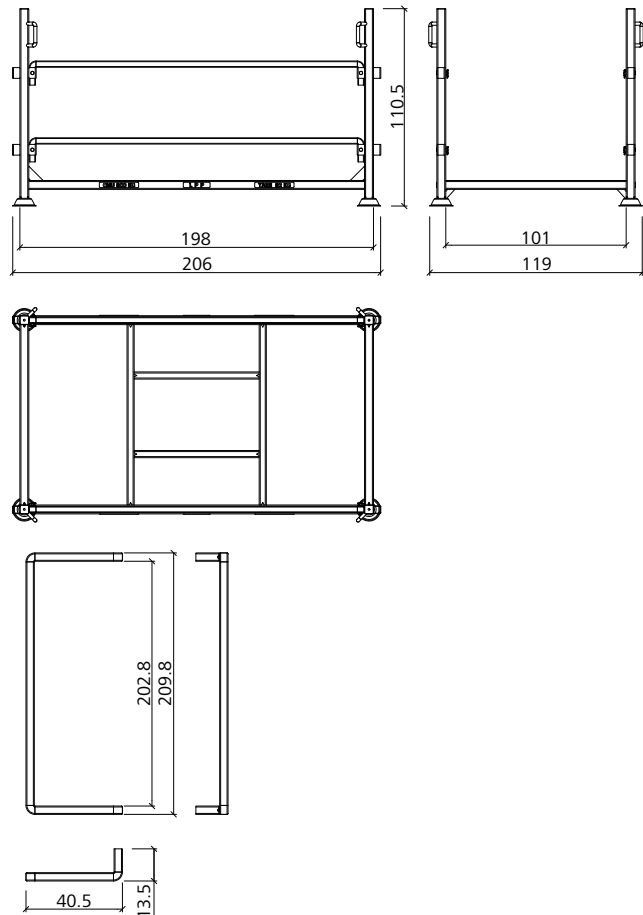
Ref.-No.	Description / Application	m ²	kg
40-131-10	Safety plug AS/ST stacks, black		0.04
40-131-15	Safety plug ST 270/240 stacks, grey		0.04

Eco stacking rack for panels

Made of steel, galvanized. The rack is used to stack formwork panels (placed vertically, side by side) and is provided with crane eyes. For 10 panels with a profile height of 10 cm or 8 panels with a profile height of 12 cm. 4 retaining brackets 270/405 are used for panel height 270 cm.

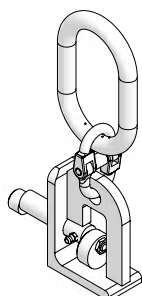


Ref.-No.	Description / Application	m ²	kg
29-132-70 Eco stacking rack for panels		85.00
29-132-72 Eco retaining bracket 270/405		2.00

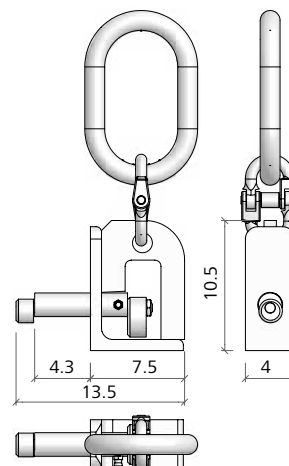


Lifting hook 40

Galvanized. Allows any 4-rope crane slings available on site to be used to move the panel stacks. Always use 4 hooks at a time. Max. load capacity 10 kN (1 ton) per lifting hook. Max. weight of a panel stack 2 tons. Refer to the lifting hook Operating Instructions for application and safety test.



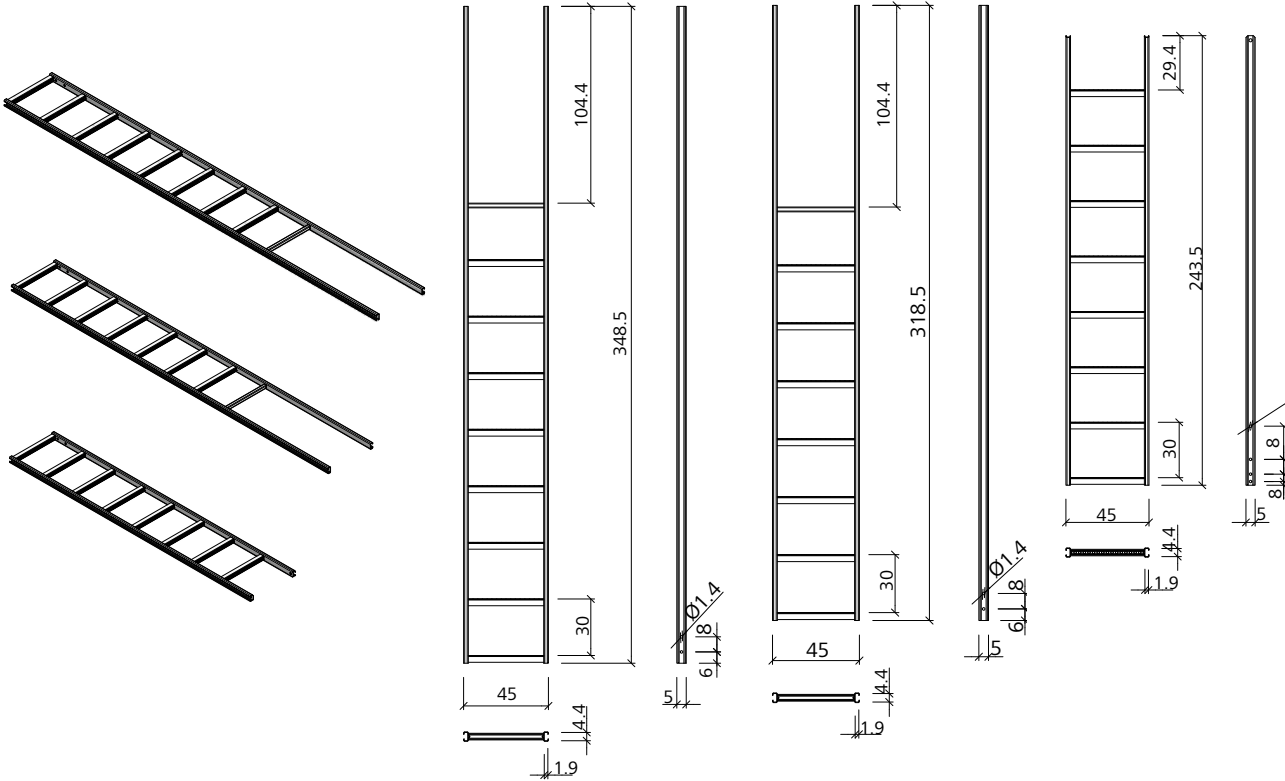
Ref.-No.	Description / Application	m ²	kg
29-401-42 Lifting hook 40.....		1.54



Ladder

Galvanized. Can be extended with extension ladders. Safety cages are required for operational safety.

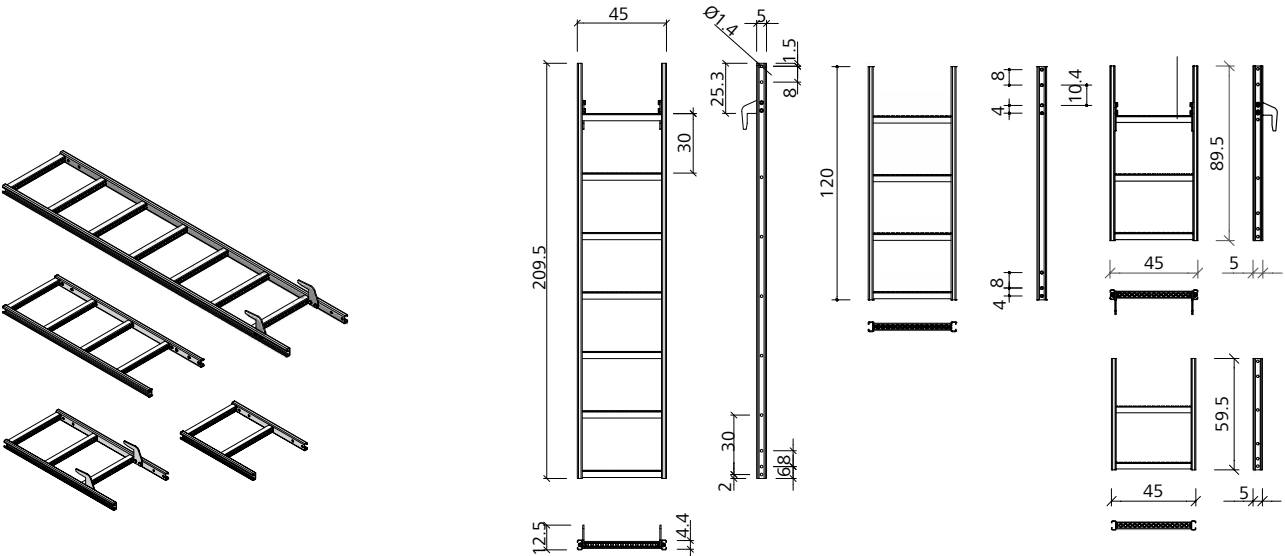
Ref.-No.	Description / Application	m ²	kg
29-414-50	Ladder 348		23.20
29-414-55	Ladder 318		21.10
29-416-50	Ladder 243		17.20



Extension ladder

Galvanized. Depending on the required height, the extension ladder is either hooked into the steps of the ladder or bolted to the ladder with the ladder connector.

Ref.-No.	Description / Application	m ²	kg
29-416-52	Extension ladder 270		19.20
29-414-60	Extension ladder 210		15.80
29-416-55	Extension ladder 120		8.50
29-416-60	Extension ladder 90		7.40
29-416-62	Extension ladder 60		4.40

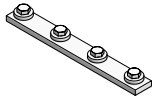


Wall formwork

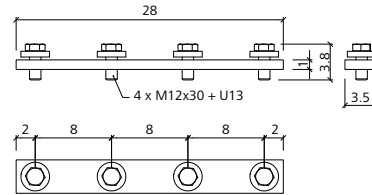
StarTec / AluStar

Ladder connector

Galvanized. Connects the joint of two extension ladders without the need to hook one ladder into a step of the other.

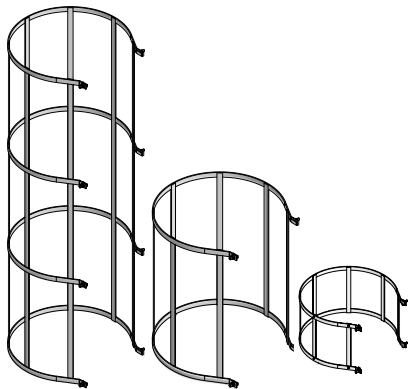


Ref.-No.	Description / Application	m ²	kg
29-414-70	Ladder connector		1.03

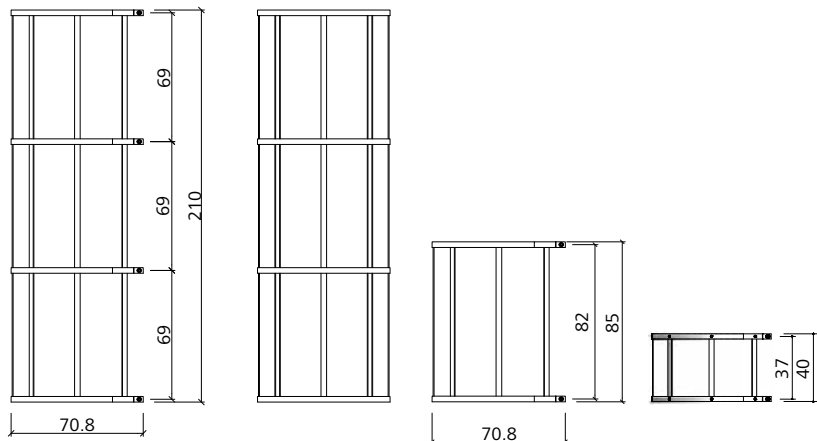


Safety cage

Galvanized. Internal Ø 70 cm. Protects workers when ascending and descending the ladder. The safety cages are attached to the (extension) ladders with the integrated hammerhead screws.

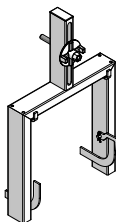


Ref.-No.	Description / Application	m ²	kg
29-414-85	Safety cage 210		27.60
29-414-90	Safety cage 85		12.10
29-416-90	Safety cage 40		8.20

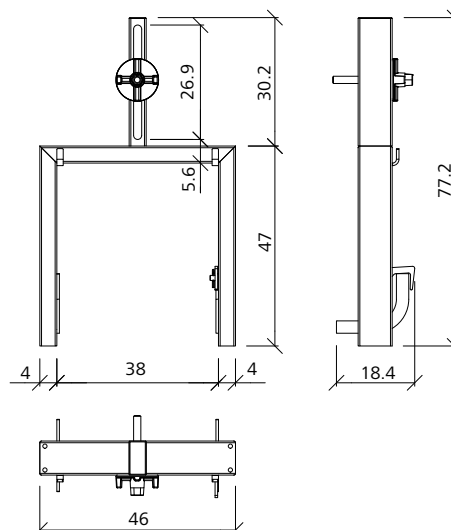


Ladder fixture, upper wall formwork

Galvanized. Attached to the multi-function profile at the top of the horizontal or vertical panel to hold the ladder or extension ladder.

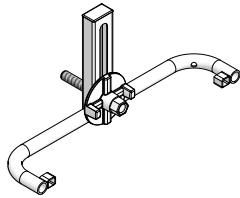


Ref.-No.	Description / Application	m ²	kg
29-416-82	Ladder fixture, upper wall formwork - top		7.90

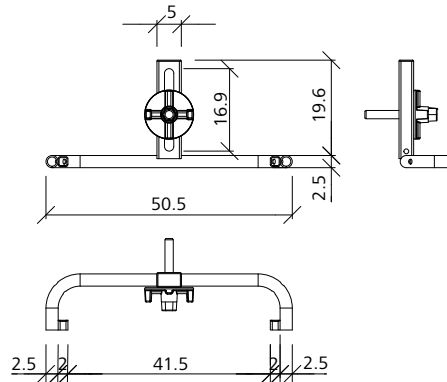


Ladder fixture, lower wall formwork

Galvanized. Attached to the multi-function profile at the bottom of the horizontal or vertical panel to hold the ladder or extension ladder.

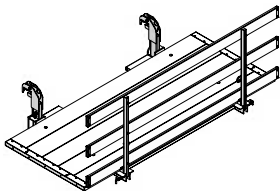


Ref.-No.	Description / Application	m ²	kg
29-416-84	Ladder fixture, lower wall formwork - bottom		2.40

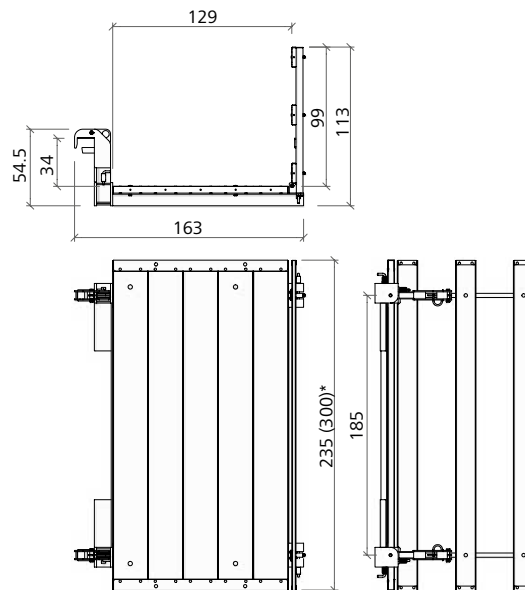


Folding access platform BKB 125

Self-locking; ready-made platform with a foldable guardrailing and an overall width of 125 cm; it is suspended onto the frame profile of the panels. The 48 mm thick plank-ing is protected at the front ends. Stacking height 17cm; load capacity 2 kN/m².

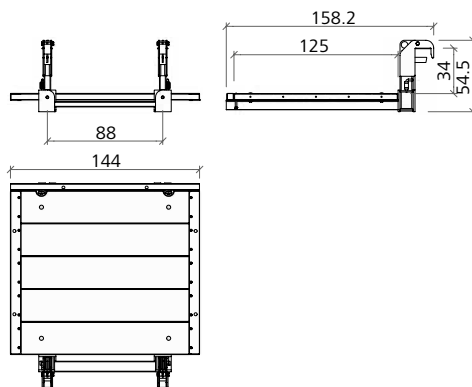
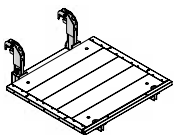


Ref.-No.	Description / Application	m ²	kg
29-417-10	Folding access platform BKB 125/235	196.00	
29-417-20	Folding access platform BKB 125/300	216.00	
29-417-00	Folding access platform BKB 125/140	114.00	
29-417-30	Side railing BKB 125	16.30	

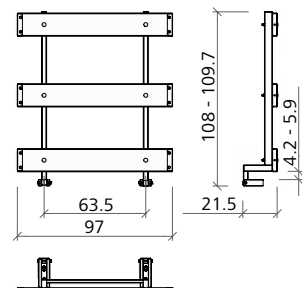
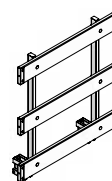


(...)* = 29-417-20

Folding access platform BKB 125/140



Side railing BKB 125

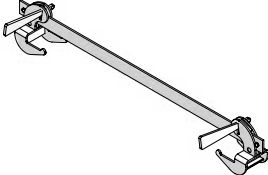


Wall formwork

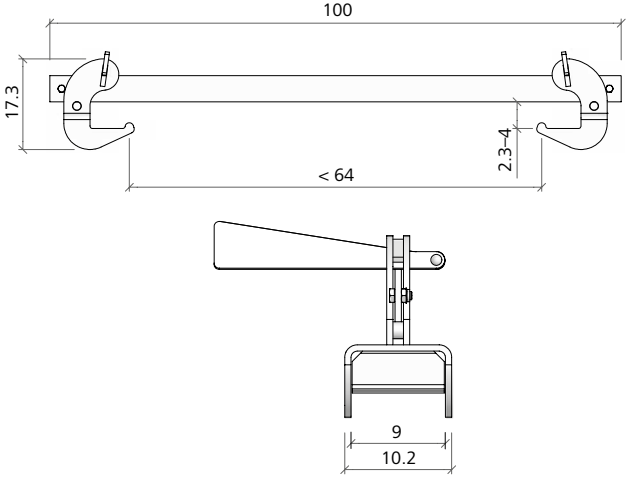
StarTec / AluStar

Push-pull strut

Galvanized, torsion-proof. Is attached above a panel joint and replaces top tie of horizontal panels for a wall or slab thickness up to 64 cm (AluFix and EcoAs) and 60 cm (StarTec and AluStar).



Ref.-No.	Description / Application	m ²	kg
79-105-70 Push-pull strut.....		6.60





MEVA Schalungs-Systeme GmbH

Industriestrasse 5
72221 Haiterbach
Germany

Tel. +49 7456 692-01
Fax +49 7456 692-66
info@meva.net
www.meva.net