



EcoAs

Robust hand-set formwork



EcoAs – robust hand-set formwork

The efficient route to best results

Versatile modular system

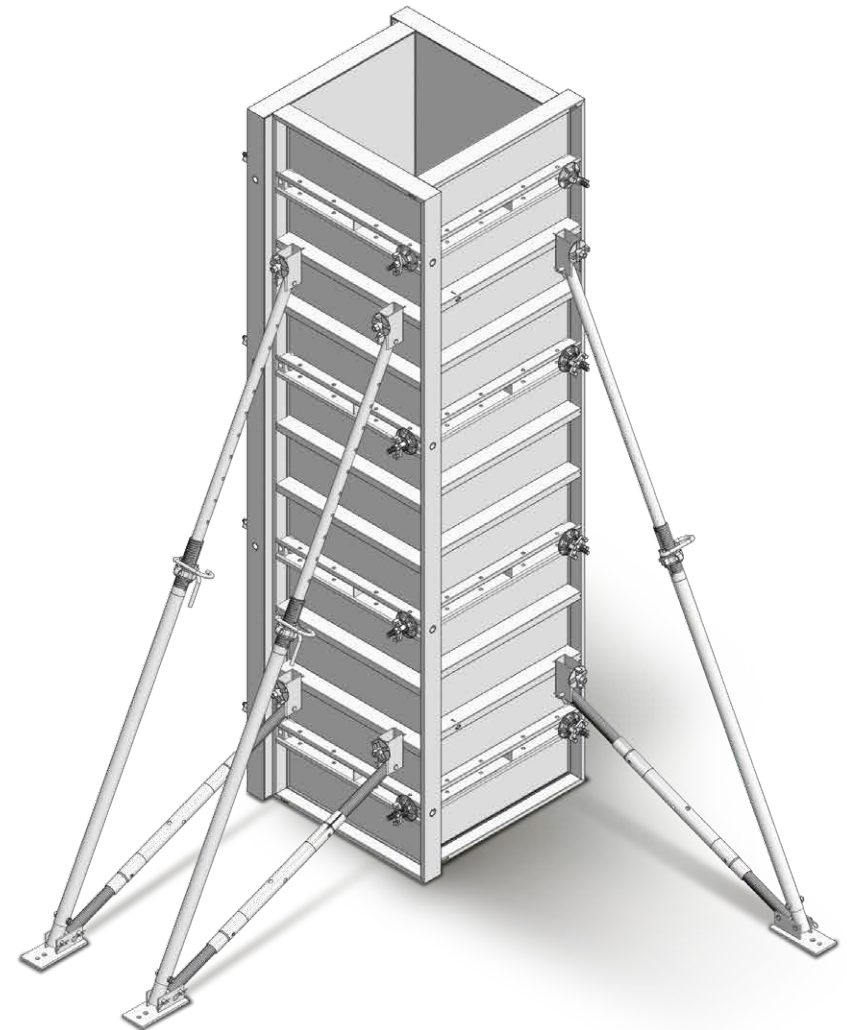
EcoAs offers a flexible and cost-effective means of tackling irregular floorplans and geometries. Being suitable for crane-free use, the efficient hand-set formwork saves time and cuts labour costs.

The compact, ergonomic design of all panels allows them to be set by hand. At the same time, EcoAs is fully compatible with the lightweight AluFix hand-set formwork. EcoAs column panels are quickly joined together using a smart combination of tensioning screw and flange nut to provide a strong connection. The smooth, non-absorbent alkus facing is capable of meeting the highest fair-faced concrete requirements, even for columns.

Heights [cm]	Panel width [cm]								CP	MPP	Corner panels				Fillers
	100	80	55	50	45	40	30	25			IC	OC	HIC	HOC	
350									■						■*
300	■	■	■					■	■		■	■			■*
240		■	■	■	■	■		■			■	■	■		■
160		■	■	■	■	■		■			■	■			
150								■							
120		■	■	■	■	■	■	■		■	■	■	■	■	■
80						■									

CP Column panel, width 90 cm
MPP Multi-purpose panel, width 60 cm
IC Inside corner, side length 25 cm
OC Outside corner

HIC Hinged inside corner, side length 30 cm
HOC Hinged outside corner, side length 7.5 cm
FS Filler strip, 5 cm
* Filler strip, 1 and 2 cm (alkus)

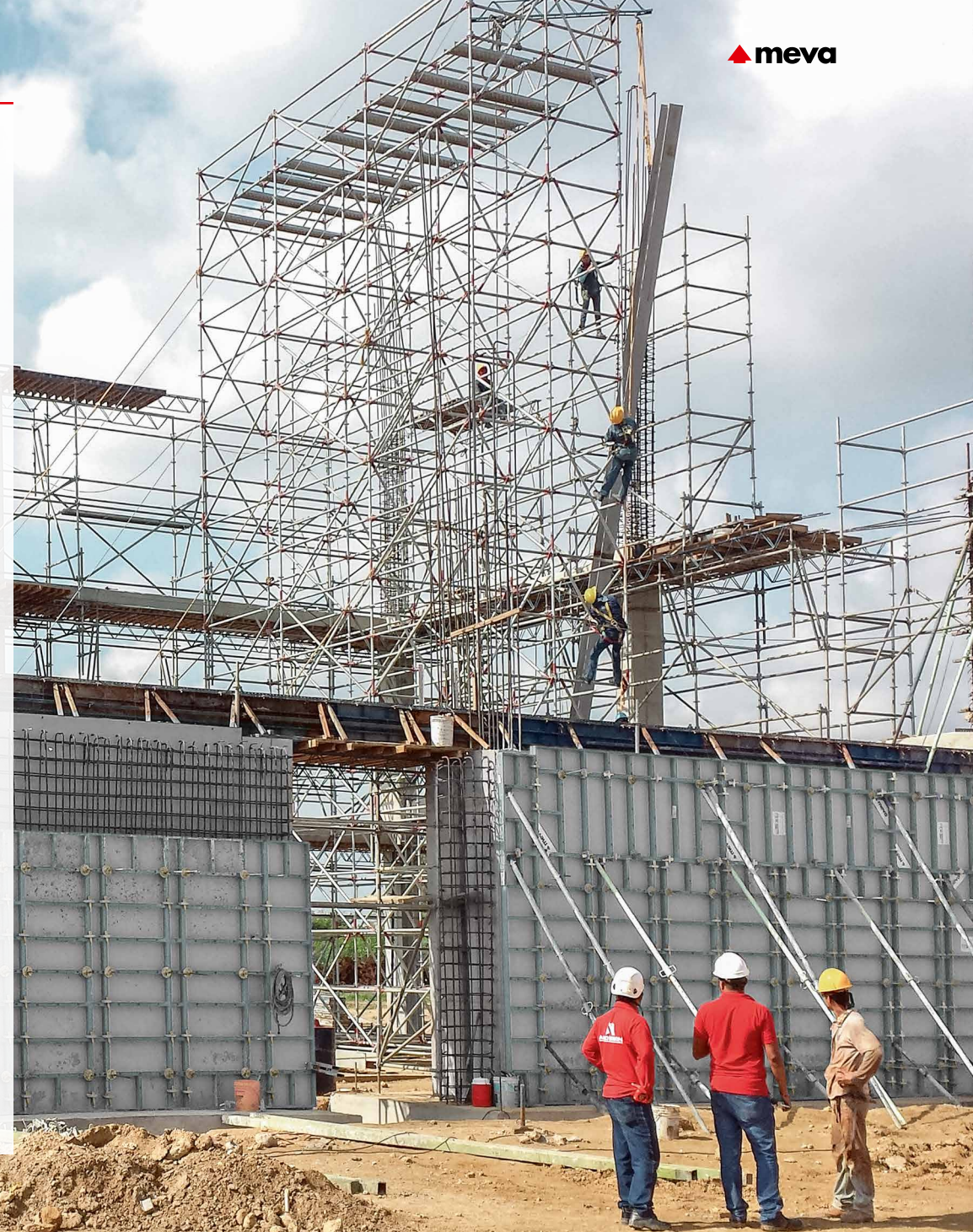


Inch-perfect shuttering for column cross-sections in 5 cm increments up to max. 75 x 75 cm side length.

i

Simply smart

- **Flexibility**
 - Panel heights of 350 to 80 cm, panel widths of 100 to 25 cm for problem-free corner solutions with any wall thickness
- **Column panels**
 - Inch-perfect shuttering for column cross-sections in 5 cm increments up to max. 75 x 75 cm side length, with smooth, non-absorbent alkus all-plastic facing to meet the highest fair-faced concrete requirements
- **Capacity**
 - Permissible fresh concrete pressure (DIN 18218) over full surface of 50 kN/m² (flatness tolerances to DIN 18202, Tab. 3, Line 6)
- **Crane-independent**
- **Closed hollow steel frame profile**
 - Structurally robust
 - Torsion-proof
 - Hot-dip galvanised to facilitate cleaning and reduce concrete adhesion
- **Smart multi-function profile**
 - With welded-in Dywidag nuts
 - All accessories, e.g. brackets, push-pull props and alignment rails, attached with MEVA flange screw
- **Tying for inclined or stepped-level formwork**
 - Tie hole with conical steel anchor sleeve, welded-in from both sides
- **Intelligent MEVA product design**
 - MEVA assembly lock for structurally continuous connection with only a few hammer blows
 - High-quality alkus all-plastic facing with 7-year warranty
- **Compatibility with AluFix**



EcoAs

A wall full of ideas

MEVA quality in every detail

MEVA systems excel by their supreme standards of quality, efficiency and practical detailing. And the robust EcoAs hand-set formwork are no exception. With standardised system components, a minimum of accessories and a closely tailored product range, they combine all the features that make MEVA systems the unbeatable solution for practical on-site operations.

- Full compatibility
- Combinable with MEVA accessories

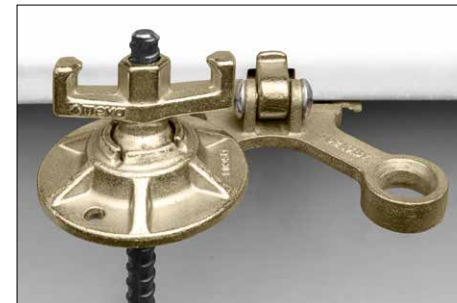


Flange screw

Single component for strong connection of all accessories

Multi-function profile

Made from closed hollow aluminium profiles with welded-in DW 15 nuts for rapid, structurally continuous connection of accessories



Tie rod fixture

For fixing to multi-purpose profile of upright or horizontal EcoAs panels. For fast and safe transportation on site

Hot-dip galvanised frame

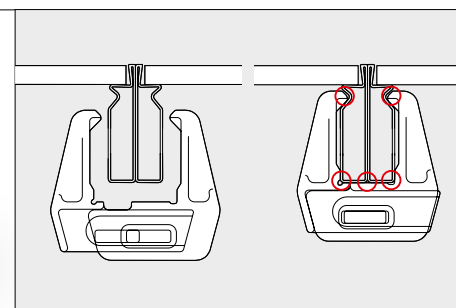
With surface finish to facilitate cleaning and reduce concrete adhesion

Closed hollow profile

For high stability and long service life

Tie hole

With conical anchor sleeve, welded-in from both sides



EA assembly lock

Only one component is needed for rapid, reliable panel connection: the MEVA assembly lock. Allows single-handed fitting at any position along frame. A few hammer blows suffice to achieve strong, level, stepless panel connection.



alkus all-plastic facing

No water absorption. Resistant to swelling and shrinkage. The smooth, robust surface guarantees a high-quality concrete finish, even after heavy use.

Pioneer and trendsetter

More with MEVA

Formwork. Simple. Smart.

A lot of things that are now considered to be standard in the formwork industry were developed by MEVA in Haiterbach. As a trendsetter for the entire industry, we work day in and day out with great élan to make formwork even safer, more efficient and easier to use for the end user. For us, the excellent quality of our products and technology is a matter of course.

We are independent, family-run and committed to the values of a medium-sized company in everything we do. That is why our customers may rightly expect not only technologically superior products but also comprehensive, personal commitment to projects all around the world.

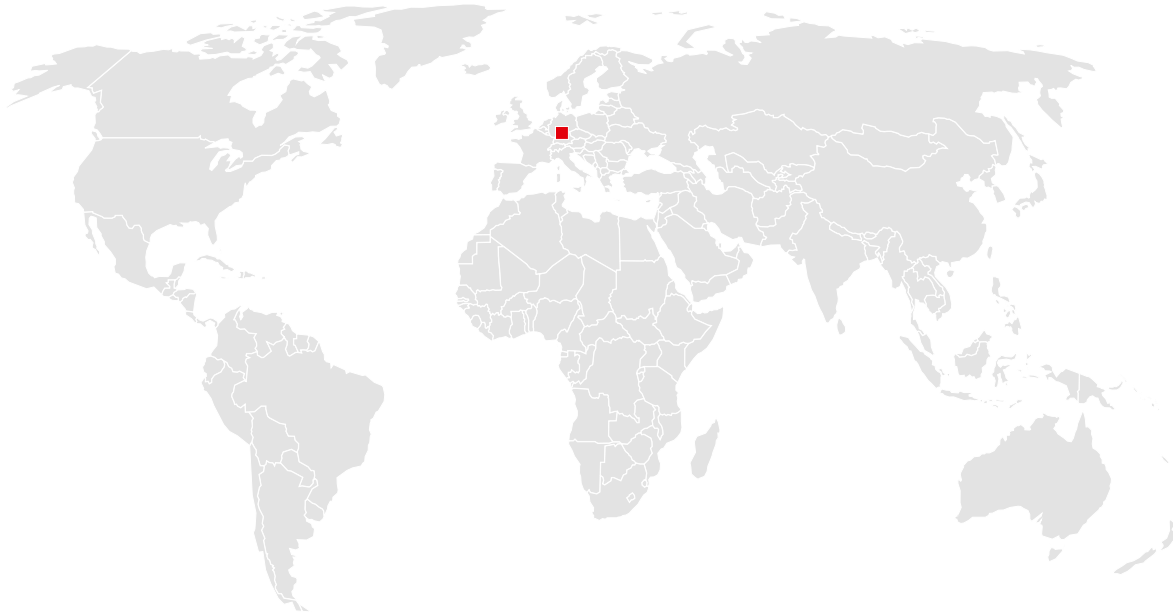
Complex special formwork or economical standard formwork: Our experience and wide range of products make us a service partner with strong consulting skills, even for the sophisticated challenges construction professionals have to master nowadays.

*Formwork.
Simple. Smart.*

▲ meva

You can rely on us wherever you are.

With 40 offices on 5 continents, we are
on the spot wherever you need us.



Headquarters (Germany)

MEVA Schalungs-Systeme GmbH
Industriestrasse 5
72221 Haiterbach
Tel. +49 7456 692-01
Fax +49 7456 692-66

info@meva.net
www.meva.net

Subsidiaries/international bases

AE-Dubai	Tel. +971 4 8042200	LATAM	latam@meva.net
AT-Pfaffstätten	Tel. +43 2252 20900-0	LU-Rodange	Tel. +352 20 283747
AU-Adelaide	Tel. +61 8 82634377	MA-Casablanca	Tel. +212 684-602243
BE-Landen	Tel. +32 11 717040	MY-Perak	Tel. +60 12 5209337
BH-Riffa	Tel. +973 3322 4290	NL-Gouda	Tel. +31 182 570770
CA-Toronto	Tel. +1 416 8565560	NO-Oslo	Tel. +47 67 154200
CH-Seon	Tel. +41 62 7697100	PA-Panama City	Tel. +507 2372222
DK-Holbæk	Tel. +45 56 311855	PH-Manila	Tel. +63 998 5416975
FR-Sarreguemines	Tel. +33 387 959938	QA-Doha	Tel. +974 4006 8485
GB-Tamworth	Tel. +44 1827 60217	SG-Singapore	Tel. +65 67354459
HU-Budapest	Tel. +36 1 2722222	US-Springfield	Tel. +1 937 3280022
IN-Mumbai	Tel. +91 22 27563430		



MEVA Schalungs-Systeme GmbH

Industriestrasse 5 Tel. +49 7456 692-01
72221 Haiterbach Fax +49 7456 692-66
Germany info@meva.net

www.meva.net