



AluStar

The Weight-Performance Champion

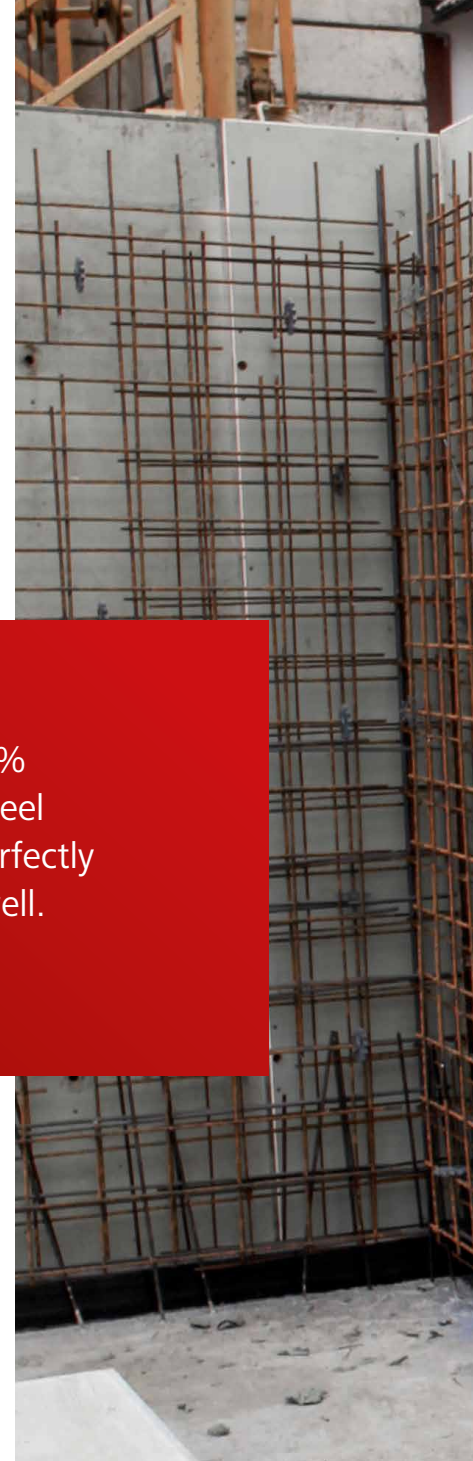


Best-in-class for weight-performance ratio

AluStar makes light work of heavy tasks

AluStar is MEVA's universal aluminium hand-set formwork range. Light and easy to handle, it is ideal for crane-free use and many other applications.

Stay flexible! As AluStar is 100% compatible with the StarTec steel multi-purpose formwork, it perfectly complements this system as well.





i

Simply smart

Lightweight AluStar at a glance

- **Low weight**
 - Max. 65 kg for largest panel (270 x 90 cm)
- **Capacity**
 - Permissible fresh concrete pressure (to DIN 18218) over entire surface of 60 kN/m² (DIN 18202, Tab. 3, Line 6)
- **Versatility**
 - Ideal for residential and commercial developments
 - Refurbishment projects
- **Closed hollow aluminium profile**
 - Ergonomic grip profile
 - Robust
 - High-grade powder-coated finish
 - Impact- and scratch-resistant surface
 - Easy to clean
- **Smart multifunctional profile**
 - Welded-in Dywidag nuts
 - All accessories, e.g. brackets, push-pull props and alignment rails, attached with MEVA flange screw
- **Tying for inclined or stepped-level formwork**
 - Tie hole with conical aluminium anchor sleeve, welded-in from both sides
- **Intelligent MEVA product design**
 - MEVA assembly lock for structurally continuous connection with only a few hammer blows
 - Cast-iron corners with integral bump notches for panel widths of 55 cm and more to simplify adjustment and alignment with crow bar
 - High-quality alkus all-plastic facing with 7-year warranty
- **Full compatibility with StarTec**

AluStar

A wall full of ideas

MEVA quality in every detail

MEVA systems excel through their supreme standards of quality, efficiency and practical detailing. And the smart, easy-to-use AluStar hand-set formwork is no exception. With standardised system components, a minimum of accessories and a closely tailored product range, it combines all the features that make MEVA systems the unbeatable solution for practical on-site operations.

- Fully compatible with StarTec
- Combinable with MEVA accessories

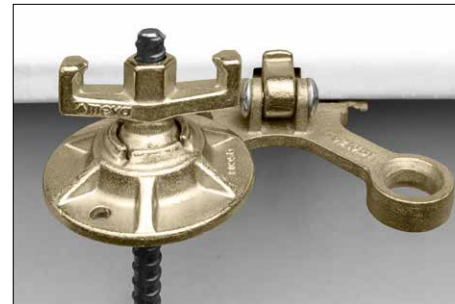


Flange screw

Single component for strong connection of all accessories

Multi-function profile

Made from closed hollow aluminium profiles with welded-in DW 15 nuts for rapid, structurally continuous connection of accessories



Tie rod fixture

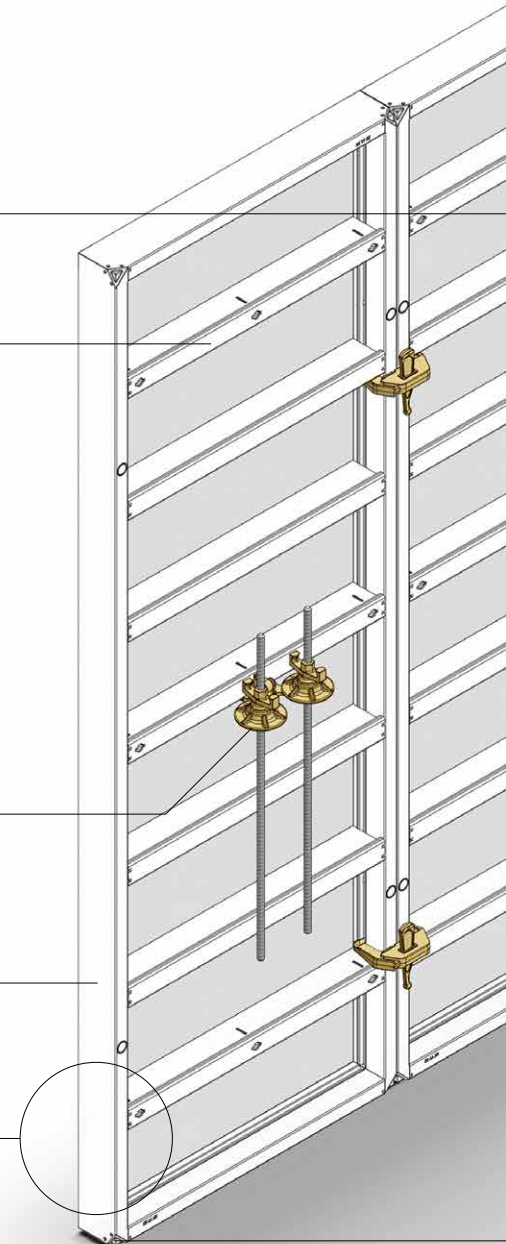
For fixing to multi-purpose profile of upright or horizontal AluStar panels – for fast and safe transportation on site

High-grade powder-coated finish

Facilitates cleaning and reduces concrete adhesion

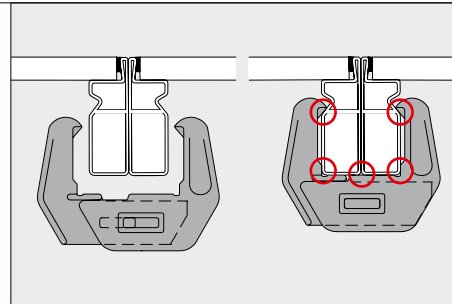
Closed hollow profile

For high stability and a long service life





Fully compatible with StarTec



AS assembly lock

Only one component needed for rapid, reliable panel connection: MEVA assembly lock. Allows single-handed fitting at any position along the frame. A few hammer blows suffice to achieve a strong, level and stepless panel connection.



Ergonomic grip profile

Stable, closed hollow aluminium profile



alkus all-plastic facing

No water absorption, resistant to swelling and shrinkage. Smooth, robust surface guarantees a high-quality concrete finish, even after heavy use.

Cast-iron corners with integral bump notches

Fitted at four corners for panel widths of 55 cm and more to simplify adjustment and alignment with crow bar

Tie hole

With conical anchor sleeve, welded in from both sides

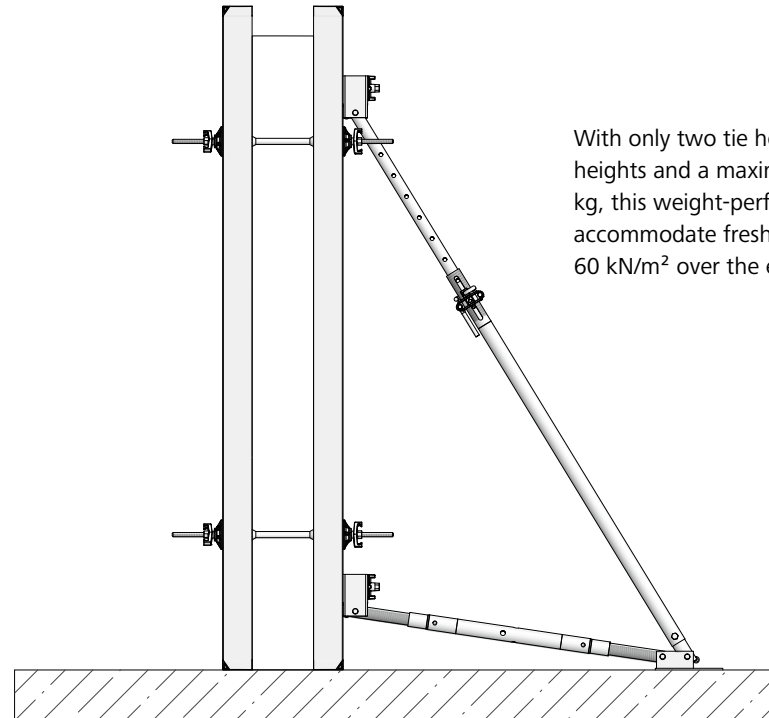
Design with system

AluStar panels

Compact solution

With panel heights of 270, 135 and 90 cm, and panel widths ranging from 90 cm to 20 cm, AluStar is readily adaptable to specific geometries. Thanks to the variety of elements, all common wall thicknesses can be reproduced without fitting areas.

The maximum element weight of 65 kg makes the system light and crane-independent. The system also has articulated corners that are infinitely adjustable from 60° to 180°.



With only two tie holes for 270 cm panel heights and a maximum panel weight of 65 kg, this weight-performance champion can accommodate fresh concrete pressures of 60 kN/m² over the entire surface.

Height [cm]	Panel width [cm]											Corner panels				
	90	75	55	50	49	45	40	30	25	24	20	IC	OC	HIC	HOC	FS
270	■	■	■	■	■	■	■	■	■	■	■	■	■	■	■	■
135	■	■	■	■	■	■	■	■	■	■	■	■	■	■	■	■
90	■	■	■	■	■	■	■	■	■	■	■	■	■			

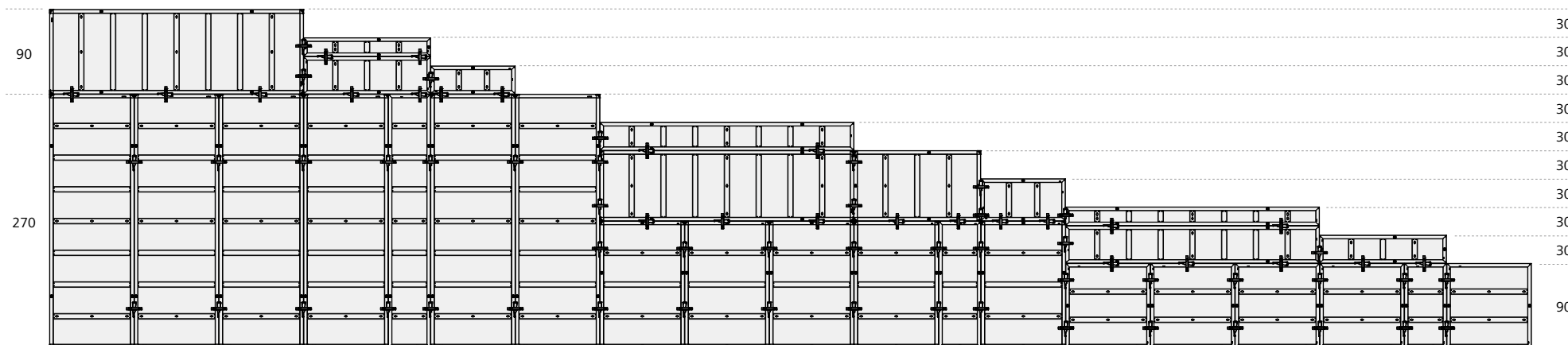
IC Inside corner, side length 25 cm
 OC Outside corner
 HIC Hinged inside corner, side length 30 cm
 HOC Hinged outside corner, side length 7.5 cm
 FS Filler strip

Precision formwork

High flexibility

Versatile configuration

AluStar offers an easily adaptable formwork solution thanks to its wide range of possible combinations. Height increments of 30 cm are achievable through the free connection of formwork panels in the upright or horizontal position.



AluStar and StarTec

Working in tandem to meet all your on-site needs

A real Star team

Together, AluStar and StarTec comprise a product family featuring crane-independent aluminium and large-format steel panels. The only component needed for their universal application is the assembly lock. No other adapters or connectors are required. Combined use of the two systems allows the efficient and flexible deployment of resources to meet all on-site demands.

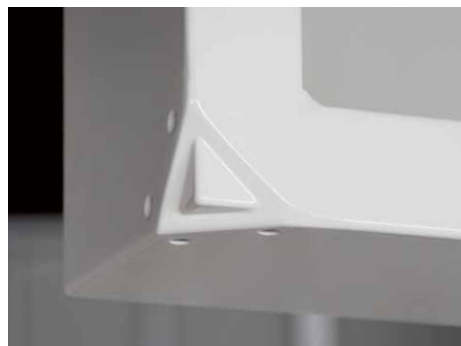


Sophisticated ergonomics

Keeping everything in hand

Carefully thought through to the finest detail

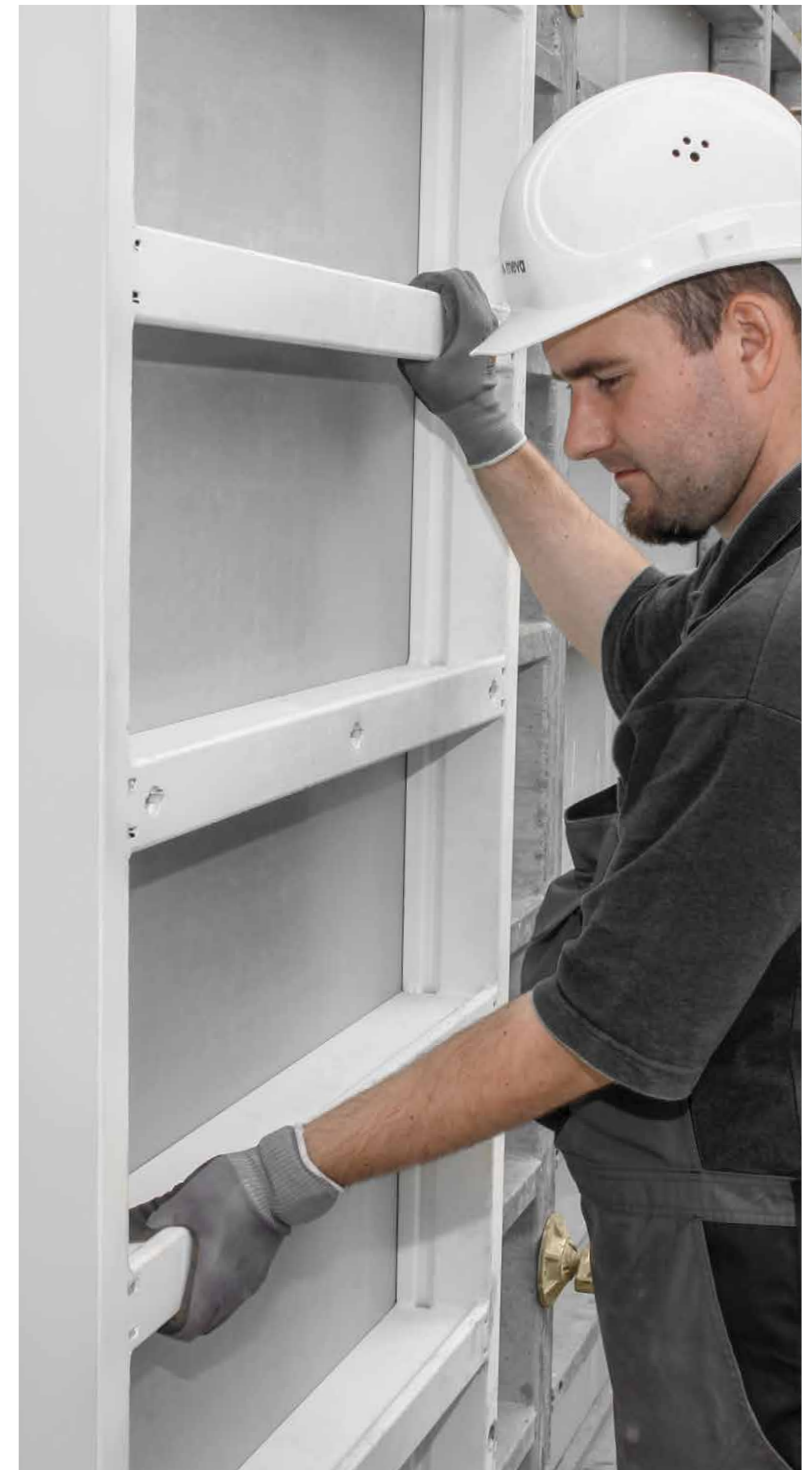
AluStar's ease of handling is a testament to MEVA's intelligent product design and close collaboration with practitioners in the development and optimisation of its systems. Fast, crane-independent movement is no problem: the ergonomic grip profile ensures that the AluStar panels can be safely held and transported. They are also easy to position and precision-assemble at the required location. The larger panels are additionally fitted with bump notches that vastly simplify adjustment and alignment.



Cast-iron corners with integral bump notches

Fitted at four corners for panel widths of 55 cm and more to simplify adjustment and alignment with crow bar.

Stable and durable: the reinforced cast-iron corners significantly reduce the need for repairs.



Pioneer and trendsetter

More with MEVA

Formwork. Simple. Smart.

A lot of things that are now considered to be standard in the formwork industry were developed by MEVA in Haiterbach. As a trendsetter for the entire industry, we work day in and day out with great élan to make formwork even safer, more efficient and easier to use for the end user. For us, the excellent quality of our products and technology is a matter of course.

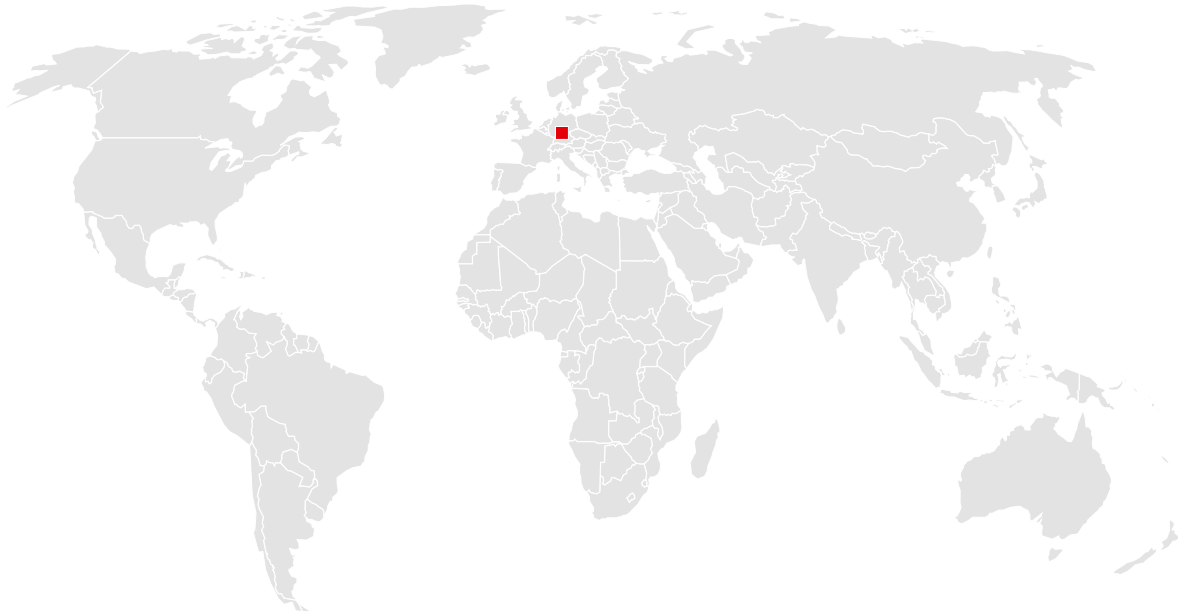
We are independent, family-run and committed to the values of a medium-sized company in everything we do. That is why our customers may rightly expect not only technologically superior products but also comprehensive, personal commitment to projects all around the world.

Complex special formwork or economical standard formwork: Our experience and wide range of products make us a service partner with strong consulting skills, even for the sophisticated challenges construction professionals have to master nowadays.



You can rely on us wherever you are.

With 40 offices on 5 continents, we are
on the spot wherever you need us.



Headquarters (Germany)

MEVA Schalungs-Systeme GmbH
Industriestrasse 5
72221 Haiterbach
Tel. +49 7456 692-01
Fax +49 7456 692-66

info@meva.net
www.meva.net

Subsidiaries/international bases

AE-Dubai	Tel. +971 4 8042200	LATAM	latam@meva.net
AT-Pfaffstatten	Tel. +43 2252 20900-0	LU-Rodange	Tel. +352 20 283747
AU-Adelaide	Tel. +61 8 82634377	MA-Casablanca	Tel. +212 684-602243
BE-Landen	Tel. +32 11 717040	MY-Perak	Tel. +60 12 5209337
BH-Riffa	Tel. +973 3322 4290	NL-Gouda	Tel. +31 182 570770
CA-Toronto	Tel. +1 416 8565560	NO-Oslo	Tel. +47 67 154200
CH-Seon	Tel. +41 62 7697100	PA-Panama City	Tel. +507 2372222
DK-Holbaek	Tel. +45 56 311855	PH-Manila	Tel. +63 998 5416975
FR-Sarreguemines	Tel. +33 387 959938	QA-Doha	Tel. +974 4006 8485
GB-Tamworth	Tel. +44 1827 60217	SG-Singapore	Tel. +65 67354459
HU-Budapest	Tel. +36 1 2722222	US-Springfield	Tel. +1 937 3280022
IN-Mumbai	Tel. +91 22 27563430		



MEVA Schalungs-Systeme GmbH

Industriestrasse 5 Tel. +49 7456 692-01
72221 Haiterbach Fax +49 7456 692-66
Germany info@meva.net

www.meva.net