

# Wall formwork

## Product list

### Please note

This product list includes all parts necessary for most applications. For parts required for special applications, please refer to the MEVA price list. Dimensions are in centimetres (cm) unless a different unit is shown.

## Contents

Adhesive tape, red.....	64	Panel height 1.35 m.....	59
Alignment rail.....	69	Panel height 1.50 m.....	58
AluFix AL panels.....	54	Panel height 2.50 m.....	57
AluFix aluminium filler.....	65	Panel height 2.70 m.....	56
AluFix hinged inside corner.....	63	Panel height 3.00 m.....	55
AluFix hinged outside corner.....	63	Panel height 3.50 m.....	54
AluFix inside corner.....	61	Plastic tube.....	70
AluFix outside corner.....	62	Plug.....	70
AluFix SC Tools.....	64	Plug D20.....	68
AluFix stripping corner.....	64	Push-pull prop R.....	73
Articulated flange nut 15/120.....	71	Push-pull strut.....	83
Articulated foot plate.....	74	RS-assembly lock.....	67
Brace frame 250.....	72	Safety cage.....	82
Braces SRL.....	74	Safety mesh.....	77
Cone for plastic tube.....	70	Safety plug stacks.....	80
Cotter pin 4.....	75	Scaffold tube.....	79
Drive nut 60.....	71	Side railing.....	76
EA/AF-Crane hook.....	72	Spanner SW 27.....	71
EA assembly lock.....	66	Stop end bracket.....	68
E-Uni-assembly lock.....	66	Stop end fixture 23/40.....	68
Extension ladder 210.....	81	Support angle for walkway brackets.....	69
Flange nut 100.....	71	Swivel-joint coupler 48/48.....	79
Flange screw.....	67	Tensioner EA for foundation tape.....	60
Foot plate.....	74	Tie claw 23.....	72
Formwork-prop connector.....	73	Tie rod DW 15/90.....	69
Foundation tape.....	60	Tie rod fixture.....	70
Guardrailing post.....	77	Tilting bracket 23.....	78
Guardrailing post 48.....	78	Transition lock AF-ST/AS.....	67
Head bolt 16/90.....	75	Transport angle 10.....	79
Ladder.....	80	Trolley for foundation tape.....	60
Ladder connector.....	81	Uni-assembly lock.....	66
Ladder fixture, lower wall formwork.....	82	Walkway bracket.....	75
Ladder fixture, upper wall formwork.....	82	Walkway bracket 65.....	76

# Wall formwork

## AluFix AL panels

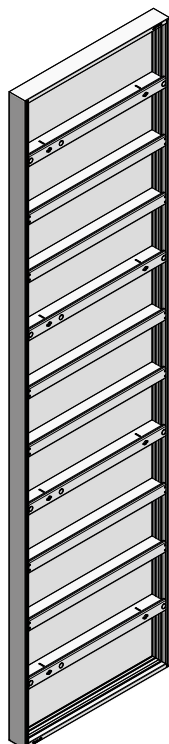
Construction height 10 cm, frame profile width 23 mm. Four tie holes per panel height 350 cm, three tie holes per panel height 300, 270 and 250 cm, two tie holes per panel height 150 and 135 cm. The frames of the AF panels are made of closed 3-chamber aluminium profiles and hence torsion-proof. They are easy to clean thanks to their high-quality annealed powder coating. AluFix AL panels can be ordered with alkus face or plywood (birch ply). All-around grooves and EA assembly locks guarantee a tight and perfectly aligned panel connection. Anchor sleeves are welded into the frames. Multi-function profiles allow for an easy, fast and safe attachment of accessories. For use on foundations AF-panels 90 cm and 75 cm wide have an additional recessed tie hole.

## Panel height 3.50 m

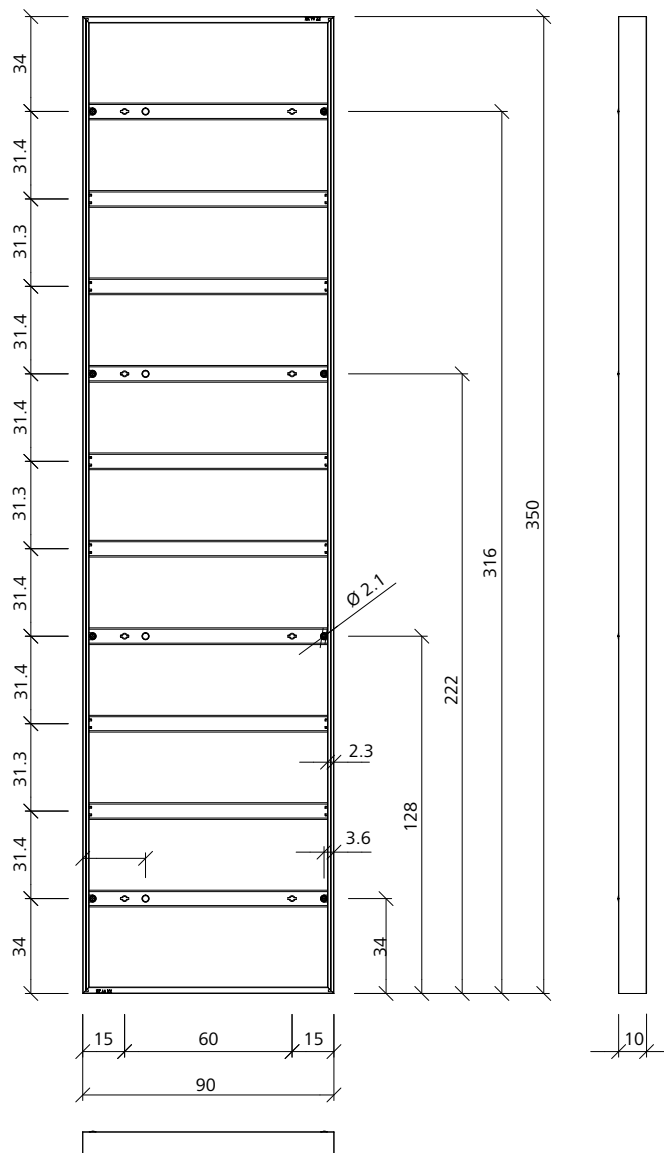
10 cross stiffeners, of which 4 are multi-function profiles with welded DW-threaded nuts (plus vertical multi-function profiles at the front end profiles).  
4 tie holes per panel height.

### Attention

Unused tie holes need to be closed with plugs D20.



Ref.-No.	Description / Application	m <sup>2</sup>	kg
22-133-10.....	AluFix AL..... 350/90.....	3.15	62.50
22-133-25.....	AluFix AL..... 350/75.....	2.63	52.70
22-133-45.....	AluFix AL..... 350/55.....	1.93	41.30
22-133-55.....	AluFix AL..... 350/45.....	1.58	35.40
22-133-60.....	AluFix AL..... 350/40.....	1.40	32.60
22-133-75.....	AluFix AL..... 350/25.....	0.88	24.10
22-133-09.....	AluFix BP..... 350/90.....	3.15	58.10
22-133-24.....	AluFix BP..... 350/75.....	2.63	49.00
22-133-44.....	AluFix BP..... 350/55.....	1.93	38.60
22-133-54.....	AluFix BP..... 350/45.....	1.58	33.20
22-133-59.....	AluFix BP..... 350/40.....	1.40	30.60
22-133-74.....	AluFix BP..... 350/25.....	0.88	22.90



Wall formwork

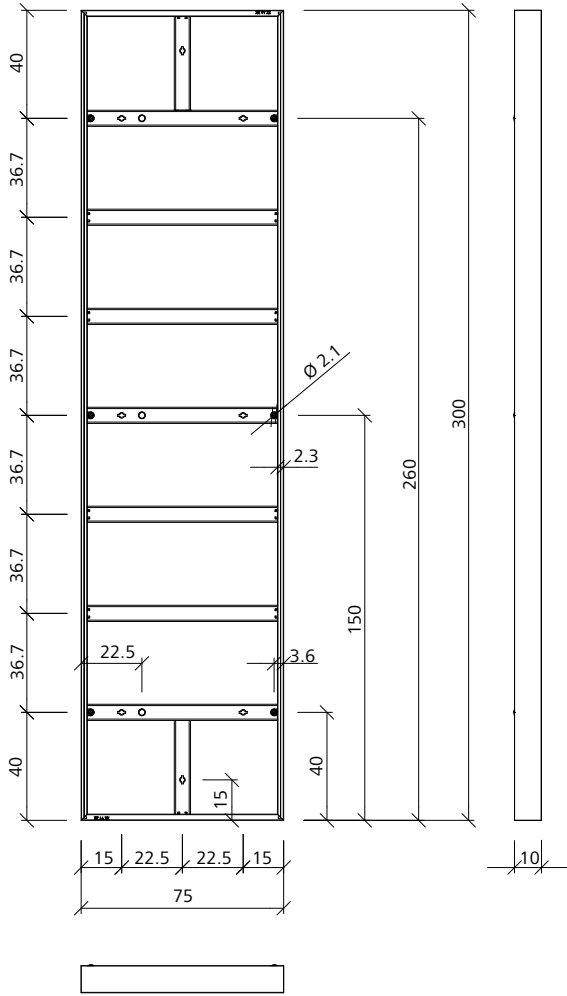
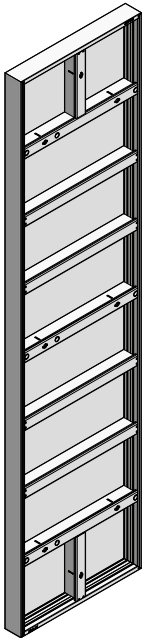
Panel height 3.00 m

7 cross stiffeners, of which 3 are multi-function profiles with welded DW-threaded nuts (plus vertical multi-function profiles at the front end profiles).  
3 tie holes per panel height.

**Attention**

Unused tie holes need to be closed with plugs D20.

Ref.-No.	Description / Application	m <sup>2</sup>	kg
22-134-10.....	AluFix AL.....300/90.....	2.70	53.00
22-134-25.....	AluFix AL.....300/75.....	2.25	46.00
22-134-45.....	AluFix AL.....300/55.....	1.65	35.50
22-134-55.....	AluFix AL.....300/45.....	1.35	30.70
22-134-60.....	AluFix AL.....300/40.....	1.20	28.40
22-134-75.....	AluFix AL.....300/25.....	0.75	20.20
22-134-24.....	AluFix BP.....300/75.....	2.25	42.90
22-134-44.....	AluFix BP.....300/55.....	1.65	33.20
22-134-54.....	AluFix BP.....300/45.....	1.35	28.80
22-134-59.....	AluFix BP.....300/40.....	1.20	26.70
22-134-74.....	AluFix BP.....300/25.....	0.75	19.20



# Wall formwork

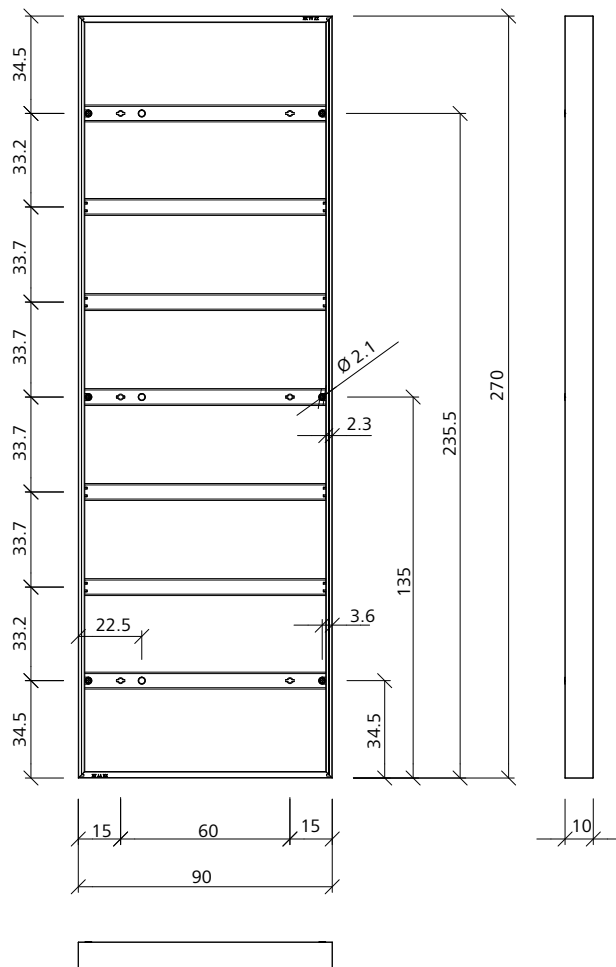
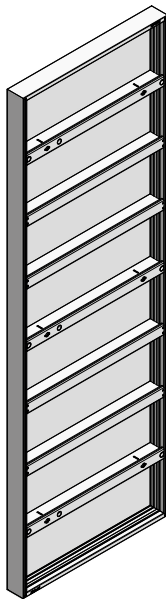
## Panel height 2.70 m

7 cross stiffeners, of which 3 are multi-function profiles with welded DW-threaded nuts .  
3 tie holes per panel height.

### Attention

Unused tie holes need to be closed with plugs D20.

Ref.-No.	Description / Application	m <sup>2</sup>	kg
22-137-10.....	AluFix AL.....270/90.....	2.43	47.80
22-137-25.....	AluFix AL.....270/75.....	2.03	41.30
22-137-45.....	AluFix AL.....270/55.....	1.49	31.60
22-137-55.....	AluFix AL.....270/45.....	1.22	27.10
22-137-60.....	AluFix AL.....270/40.....	1.08	24.90
22-137-75.....	AluFix AL.....270/25.....	0.68	18.50
22-137-09.....	AluFix BP.....270/90.....	2.43	44.30
22-137-24.....	AluFix BP.....270/75.....	2.03	38.50
22-137-44.....	AluFix BP.....270/55.....	1.49	29.50
22-137-54.....	AluFix BP.....270/45.....	1.22	25.40
22-137-59.....	AluFix BP.....270/40.....	1.08	23.40
22-137-74.....	AluFix BP.....270/25.....	0.68	17.60





Wall formwork

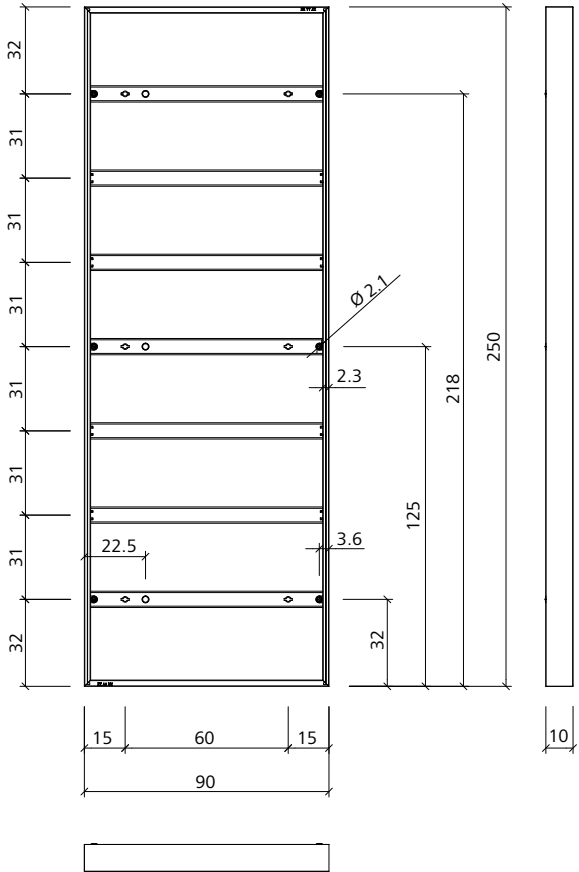
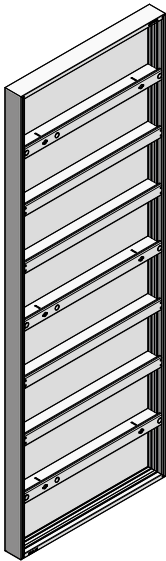
Panel height 2.50 m

7 cross stiffeners, of which 3 are multi-function profiles with welded DW-threaded nuts .  
3 tie holes per panel height.

**Attention**

Unused tie holes need to be closed with plugs D20.

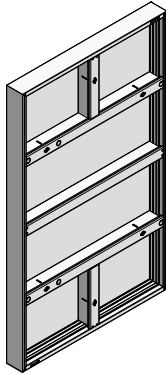
Ref.-No.	Description / Application	m <sup>2</sup>	kg
22-138-10	AluFix AL..... 250/90	2.25	45.20
22-138-25	AluFix AL..... 250/75	1.88	38.10
22-138-45	AluFix AL..... 250/55	1.38	29.80
22-138-55	AluFix AL..... 250/45	1.13	25.50
22-138-60	AluFix AL..... 250/40	1.00	23.50
22-138-75	AluFix AL..... 250/25	0.63	17.40
22-138-09	AluFix BP..... 250/90	2.25	42.10
22-138-24	AluFix BP..... 250/75	1.88	35.50
22-138-44	AluFix BP..... 250/55	1.38	27.90
22-138-54	AluFix BP..... 250/45	1.13	24.00
22-138-59	AluFix BP..... 250/40	1.00	22.10
22-138-74	AluFix BP..... 250/25	0.63	16.50



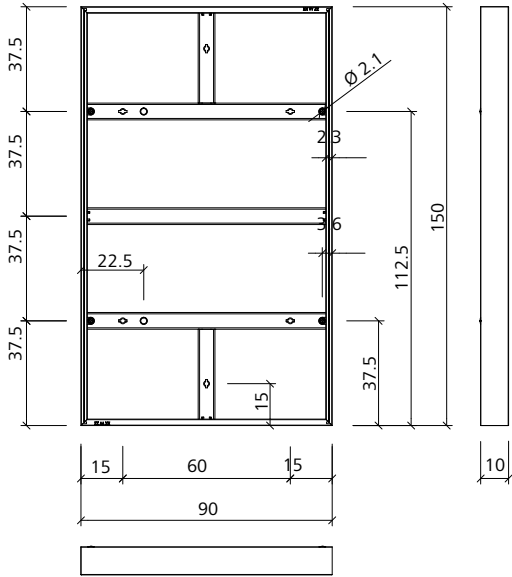
Wall formwork

**Panel height 1.50 m**

3 cross stiffeners, of which 2 are multi-function profiles with welded DW-threaded nuts.  
2 tie holes per panel height.



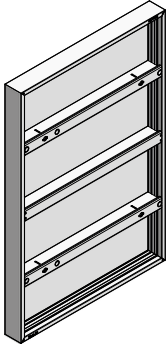
Ref.-No.	Description / Application	m <sup>2</sup>	kg
22-135-10	AluFix AL..... 150/90	1.35	27.70
22-135-25	AluFix AL..... 150/75	1.13	23.60
22-135-45	AluFix AL..... 150/55	0.83	18.80
22-135-55	AluFix AL..... 150/45	0.68	16.30
22-135-60	AluFix AL..... 150/40	0.60	15.10
22-135-75	AluFix AL..... 150/25	0.38	10.30
22-135-09	AluFix BP..... 150/90	1.35	25.80
22-135-24	AluFix BP..... 150/75	1.13	22.00
22-135-44	AluFix BP..... 150/55	0.83	17.60
22-135-54	AluFix BP..... 150/45	0.68	15.30
22-135-59	AluFix BP..... 150/40	0.60	14.20
22-135-74	AluFix BP..... 150/25	0.38	9.80



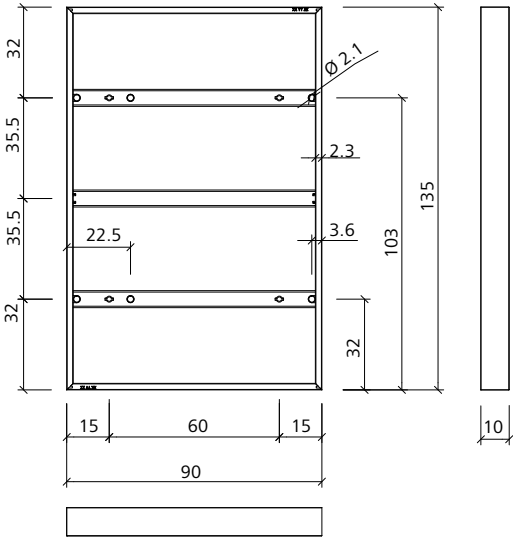
Wall formwork

Panel height 1.35 m

3 cross stiffeners, of which 2 are multi-function profiles with welded DW-threaded nuts .  
2 tie holes per panel height.



Ref.-No.	Description / Application	m <sup>2</sup>	kg
22-139-10.....	AluFix AL..... 135/90.....	1.22	24.10
22-139-25.....	AluFix AL..... 135/75.....	1.01	20.70
22-139-45.....	AluFix AL..... 135/55.....	0.74	16.30
22-139-55.....	AluFix AL..... 135/45.....	0.61	13.90
22-139-60.....	AluFix AL..... 135/40.....	0.54	12.80
22-139-75.....	AluFix AL..... 135/25.....	0.34	9.50
22-139-09.....	AluFix BP..... 135/90.....	1.22	22.40
22-139-24.....	AluFix BP..... 135/75.....	1.01	19.30
22-139-44.....	AluFix BP..... 135/55.....	0.74	15.20
22-139-54.....	AluFix BP..... 135/45.....	0.61	13.00
22-139-59.....	AluFix BP..... 135/40.....	0.54	12.00
22-139-74.....	AluFix BP..... 135/25.....	0.34	9.00

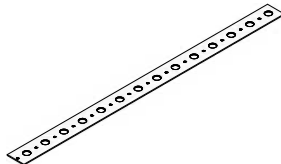


**Attention**  
Unused tie holes need to be closed with plugs D20.

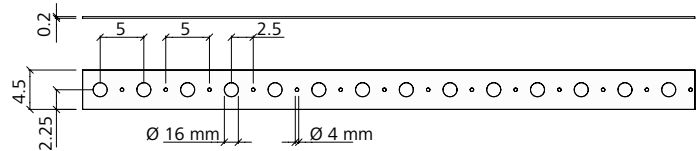
# Wall formwork

## Foundation tape

Galvanized. Hole spacing 50 mm, hole Ø 16 mm, length 50 m. Adm. tractive force 10 kN. To be cut at hole center. Together with the appropriate tensioner it serves as bottom tie when panels are assembled in horizontal position.

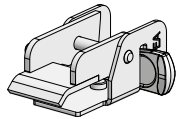


Ref.-No.	Description / Application	m <sup>2</sup>	kg
29-307-50	..... Foundation tape 50 m.....		20.00

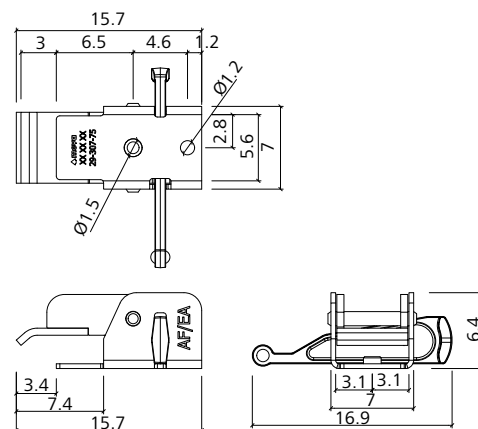


## Tensioner EA for foundation tape

Galvanized. Connects the foundation tape to EcoAs or AluFix panels and serves as bottom tie when panels are assembled in horizontal position. Two tensioners are required per tying position.



Ref.-No.	Description / Application	m <sup>2</sup>	kg
29-307-75	..... Tensioner EA for foundation tape.....		1.26



## Trolley for foundation tape

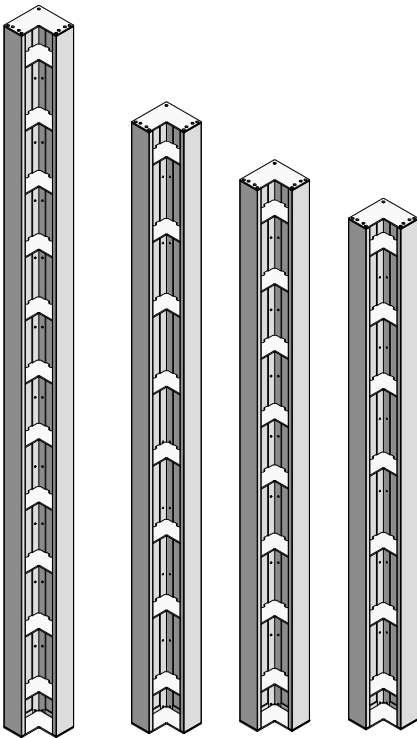
Not shown. Galvanized. Is used to transport and cut foundation tape to length. Suitable for one roll. Pneumatic wheels.

Ref.-No.	Description / Application	m <sup>2</sup>	kg
29-307-55	..... Trolley for foundation tape.....		21.80

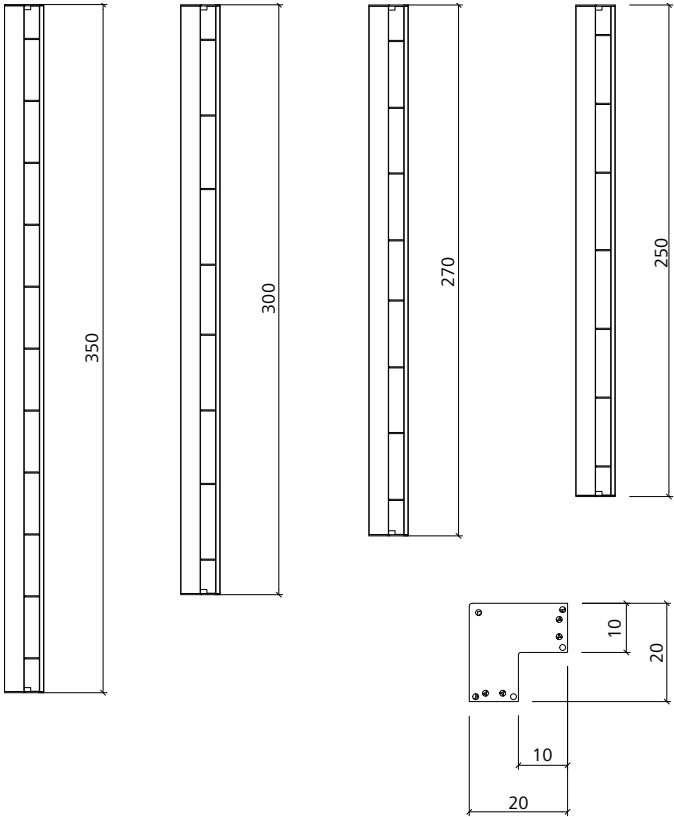
Wall formwork

AluFix inside corner

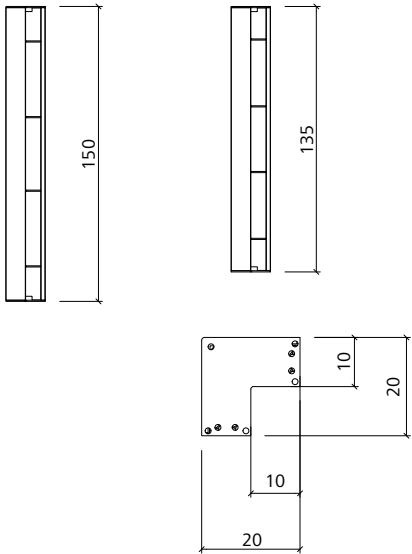
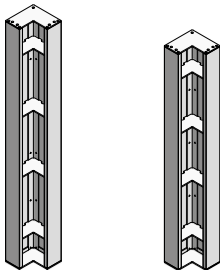
Aluminium. With annealed power coating.  
For 90° corners, side length 20 cm.



Ref.-No.	Description / Application	m <sup>2</sup>	kg
22-154-05	AluFix AL-IC..... 350/20	1.40	32.30
22-154-10	AluFix AL-IC..... 300/20	1.20	27.40
22-154-15	AluFix AL-IC..... 270/20	1.08	25.00
22-154-25	AluFix AL-IC..... 250/20	1.00	23.20



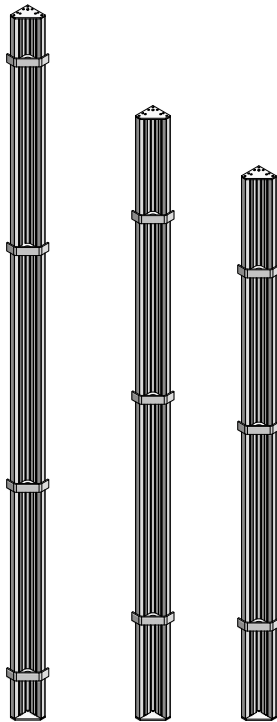
Ref.-No.	Description / Application	m <sup>2</sup>	kg
22-154-30	AluFix AL-IC..... 150/20	0.60	14.20
22-154-35	AluFix AL-IC..... 135/20	0.54	13.00



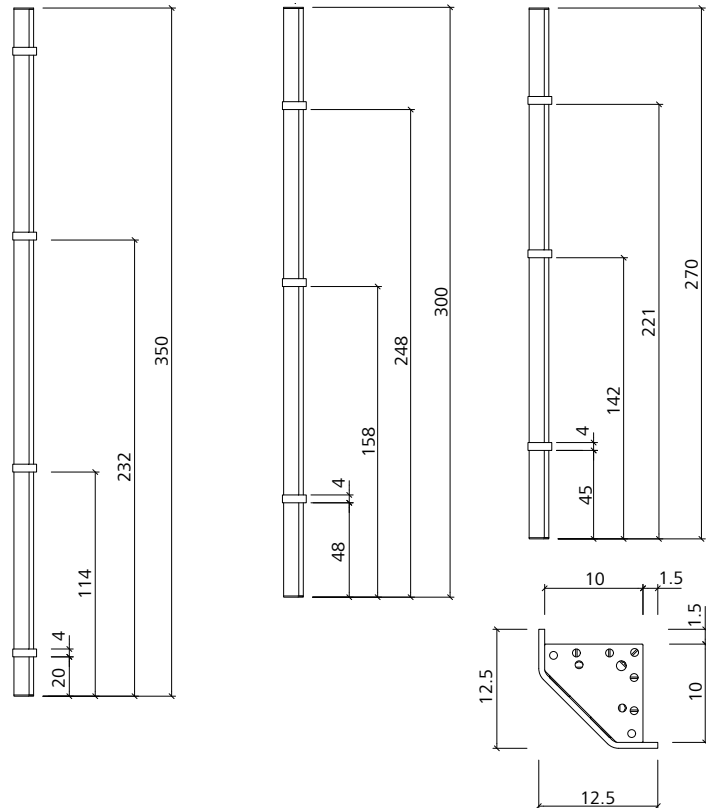
# Wall formwork

## AluFix outside corner

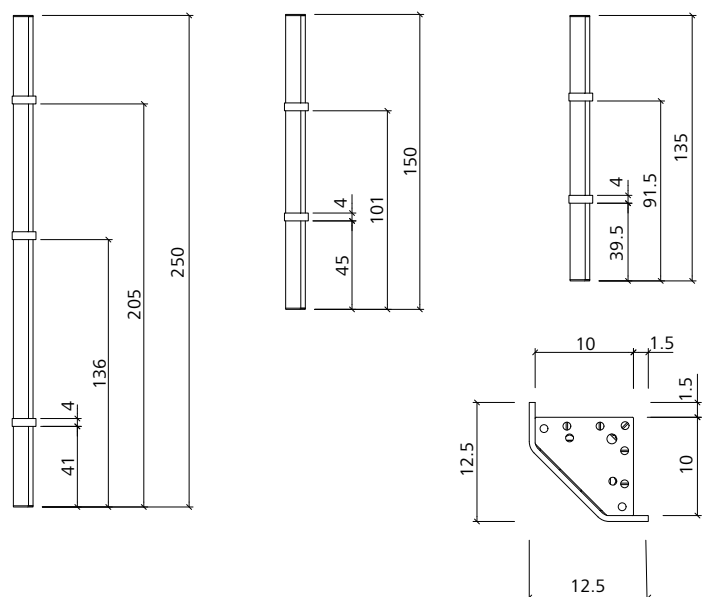
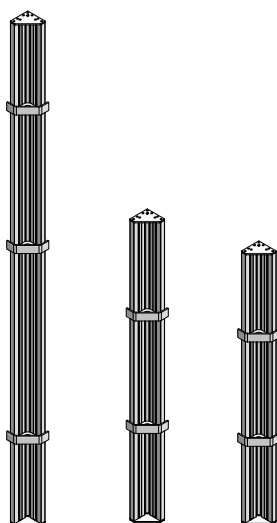
Aluminium. With annealed powder coating.  
Provides a tight outside corner assembly for 90° angles when used together with AluFix panels and EA assembly locks.



Ref.-No.	Description / Application	m <sup>2</sup>	kg
22-150-01	AluFix OC ..... 350	10.61	
22-150-02	AluFix OC ..... 300	9.05	
22-150-03	AluFix OC ..... 270	8.21	



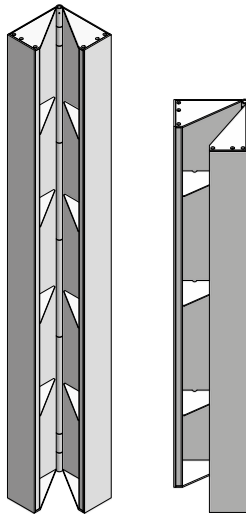
Ref.-No.	Description / Application	m <sup>2</sup>	kg
22-150-06	AluFix OC ..... 250	7.65	
22-150-12	AluFix OC ..... 150	4.70	
22-150-14	AluFix OC ..... 135	4.28	



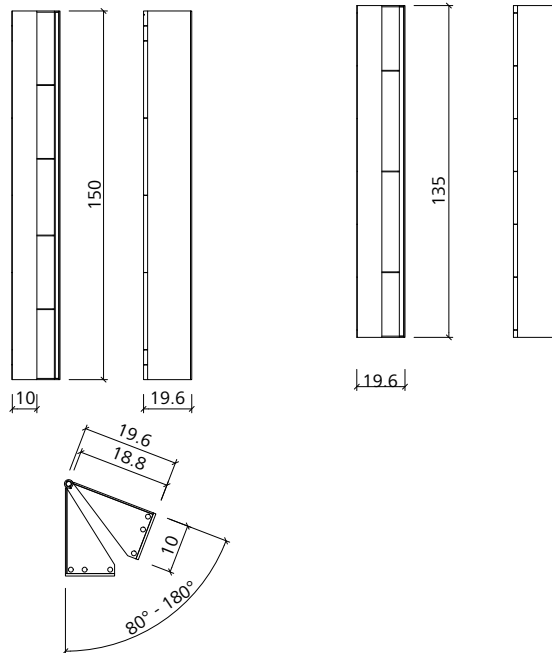
# Wall formwork

## AluFix hinged inside corner

Steel construction with steel sheeting. Primed and cavity-sealed. Side length 20 cm. Adjustable angle 80° - 180° when used as inside corner, or 95° - 180° when used as outside corner.

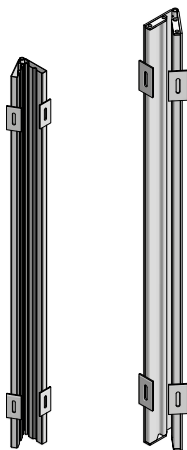


Ref.-No.	Description / Application	m <sup>2</sup>	kg
22-151-90	AluFix HIC ..... 150	.....	35.00
22-151-92	AluFix HIC ..... 135	0.51	31.30

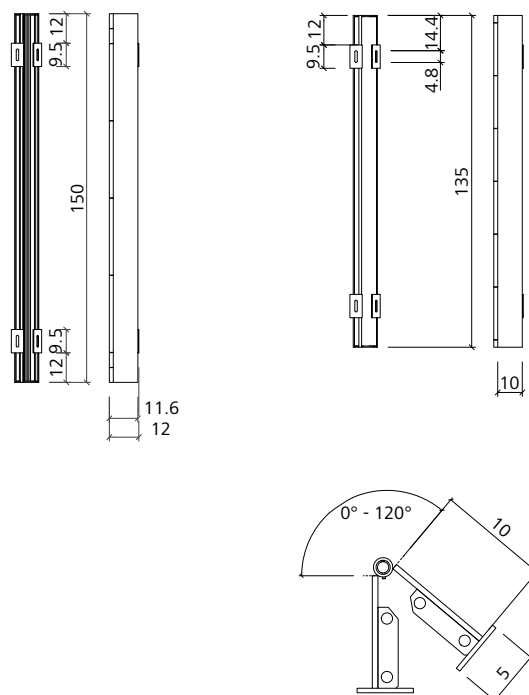


## AluFix hinged outside corner

Steel construction with steel sheeting. Primed and cavity-sealed. Side length 1.5 cm. Adjustable angle 0° - 120°.



Ref.-No.	Description / Application	m <sup>2</sup>	kg
22-151-70	AluFix HOC ..... 150	.....	20.50
22-151-72	AluFix HOC ..... 135	0.29	18.30

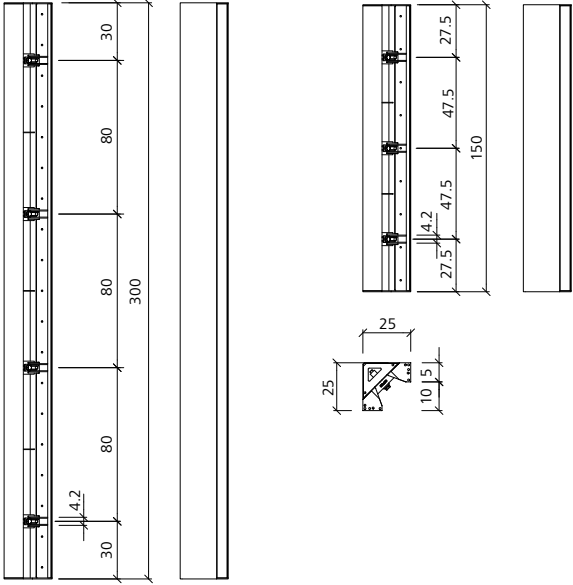
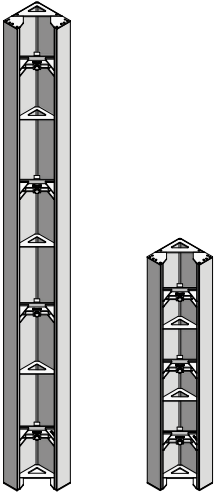


Wall formwork

**AluFix stripping corner**

Aluminium, 3 parts. With annealed powder coating and tie holes. When assembling and stripping the formwork, the AF stripping corners are pressed against and removed from the concrete by using the integrated spanner.

Ref.-No.	Description / Application	m <sup>2</sup>	kg
22-151-00	AluFix SC.....350/25	125.46	
22-151-10	AluFix SC.....300/25	106.80	
22-151-12	AluFix SC.....270/25	97.70	
22-151-15	AluFix SC.....250/25	91.60	
22-151-20	AluFix SC.....150/25	57.70	
22-151-25	AluFix SC.....135/25	49.69	



**Adhesive tape, red**

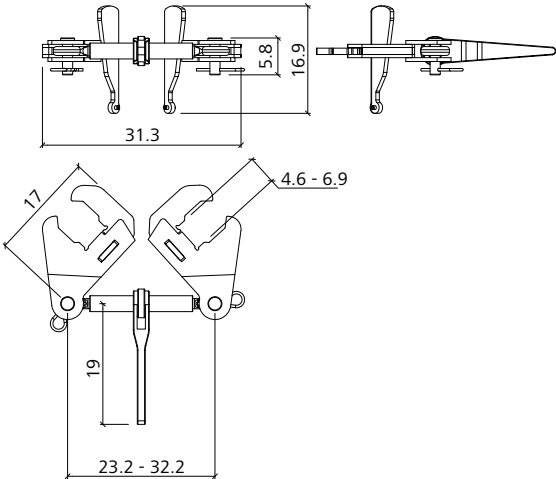
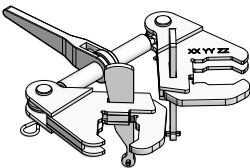
Not shown. Reinforced adhesive tape, red, 50 mm wide, 50 running metres. Total thickness: 270 µm. Natural rubber adhesive on one side. PE-coated.

Ref.-No.	Description / Application	m <sup>2</sup>	kg
41-912-10	Adhesive tape 50 m, red	0.83	

**AluFix SC Tools**

Complete tool for activating/operating the AluFix ASE, adjustment range 232 - 322 mm. Consists of 1 pc. each: Formwork-prop connector for stripping corner left, Formwork-prop connector for stripping corner right, Ratchet load tensioner 232-322.

Ref.-No.	Description / Application	m <sup>2</sup>	kg
29-306-15	AluFix SC Tools	5.49	



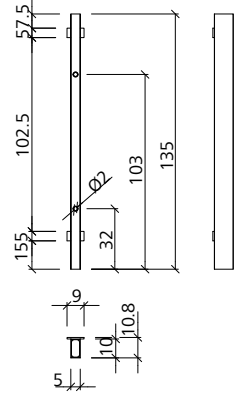
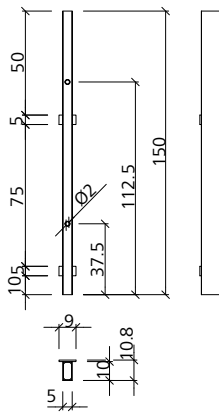
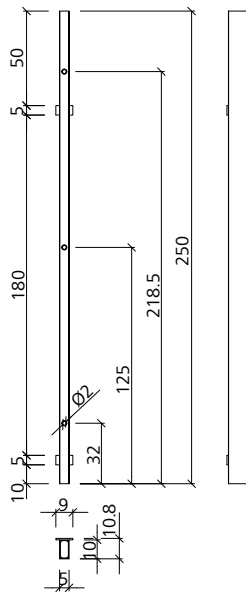
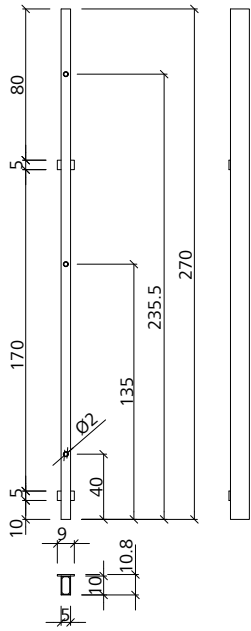
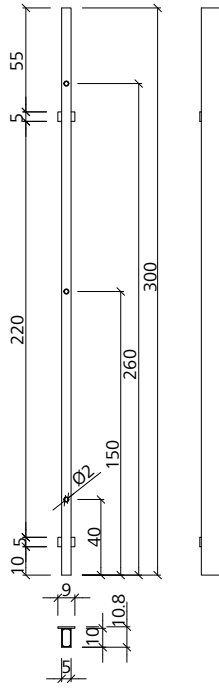
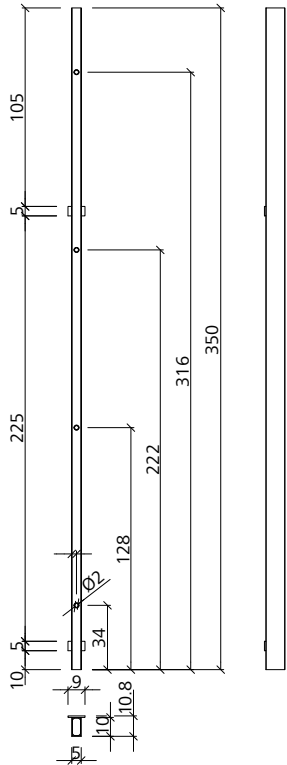
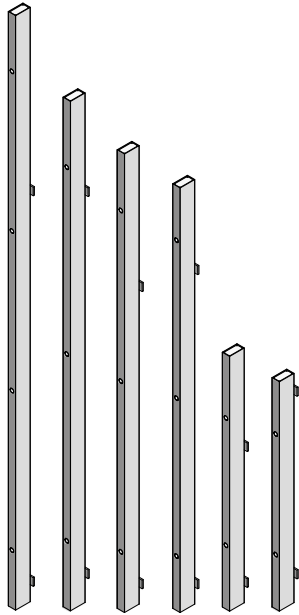


# Wall formwork

## AluFix aluminium filler

Aluminium with high-quality powder coating.  
 With tie holes. For length compensation  
 of 5 cm, especially in corners. 2 or 3 Uni-  
 assembly locks are required for each filler.

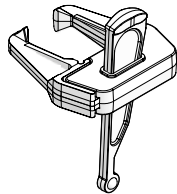
Ref.-No.	Description / Application	m <sup>2</sup>	kg
22-155-10.....	AluFix aluminium filler 350/5.....	0.18.....	8.70
22-155-15.....	AluFix aluminium filler 300/5.....	0.15.....	7.50
22-155-20.....	AluFix aluminium filler 270/5.....	0.14.....	6.80
22-155-30.....	AluFix aluminium filler 250/5.....	0.13.....	6.30
22-155-35.....	AluFix aluminium filler 150/5.....	0.08.....	3.90
22-155-40.....	AluFix aluminium filler 135/5.....	0.07.....	3.60



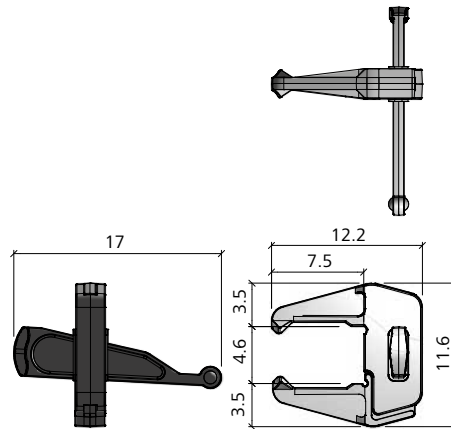
# Wall formwork

## EA assembly lock

Galvanized. Tightly connects and aligns AluFix and EcoAs panels. Clamping length 4.6 cm.

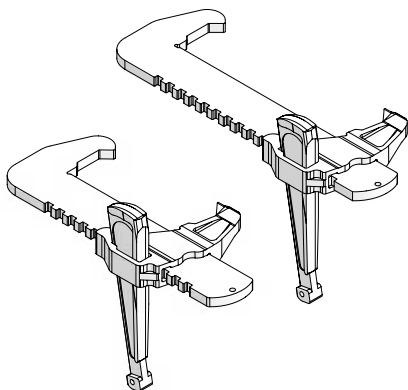


Ref.-No.	Description / Application	m <sup>2</sup>	kg
29-205-50	EA-assembly lock		1.50

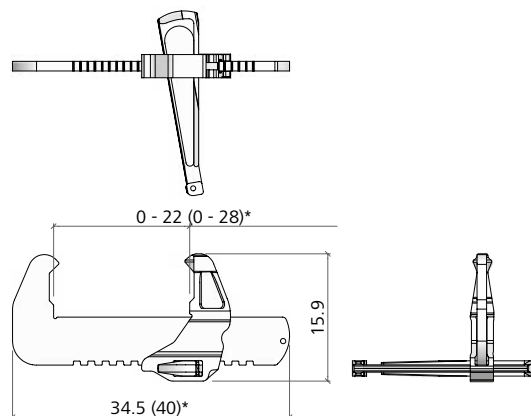


## Uni-assembly lock

Galvanized. For stepless compensation. Clamping length 22 cm or 28 cm.



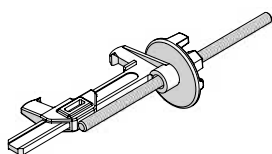
Ref.-No.	Description / Application	m <sup>2</sup>	kg
29-400-85	Uni-assembly lock 22		3.60
29-400-90	Uni-assembly lock 28		3.90



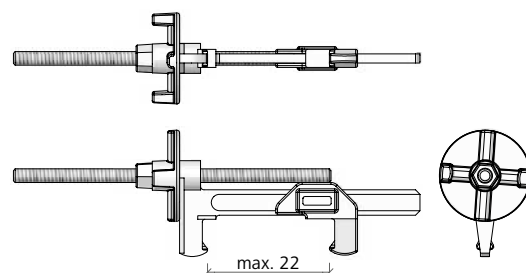
(...)\* = 29-400-90

## E-Uni-assembly lock

Galvanized. For stepless compensation. Clamping length max. 22 cm.



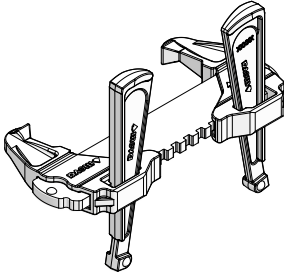
Ref.-No.	Description / Application	m <sup>2</sup>	kg
29-103-60	E-Uni-assembly lock		2.00



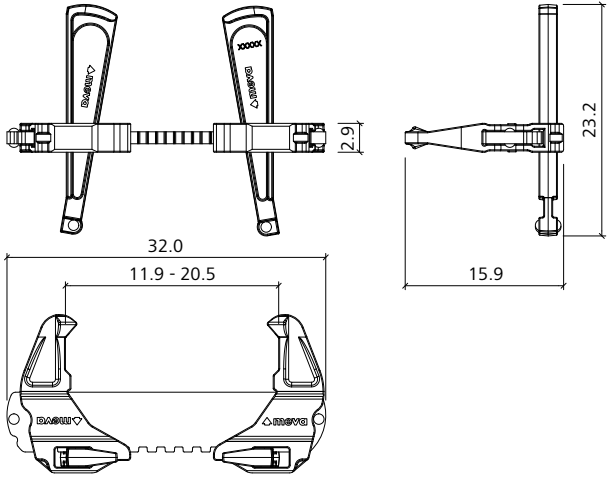
Wall formwork

RS-assembly lock

Galvanized, For stepless length compensation. Clamping length is 11.9 to 20.5 cm for stepless compensation.

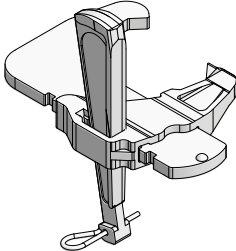


Ref.-No.	Description / Application	m <sup>2</sup>	kg
23-807-70	..... RS-assembly lock.....		4.70

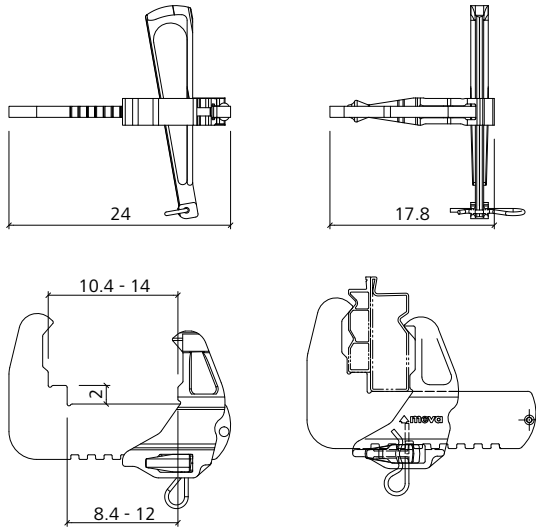


Transition lock AF-ST/AS

Is used as a connecting assembly lock at the joint of AF panels with ST or AS panels. Can be used on the right or left side of inside corner areas by turning the sliding part.

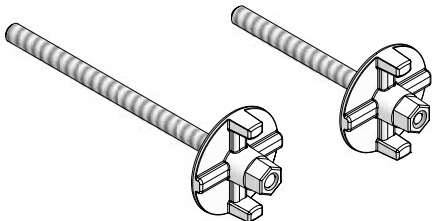


Ref.-No.	Description / Application	m <sup>2</sup>	kg
29-103-30	..... Transition lock AF - ST/AS.....		3.20

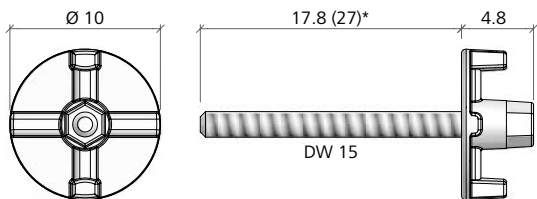


Flange screw

Galvanized. DW thread Ø 15 mm. Is used to attach accessories, e.g. alignment rails, brace frames, push-pull props, etc. Length of thread 18 cm or 27 cm.



Ref.-No.	Description / Application	m <sup>2</sup>	kg
29-401-10	..... Flange screw 18.....		1.02
29-401-12	..... Flange screw 28.....		1.28

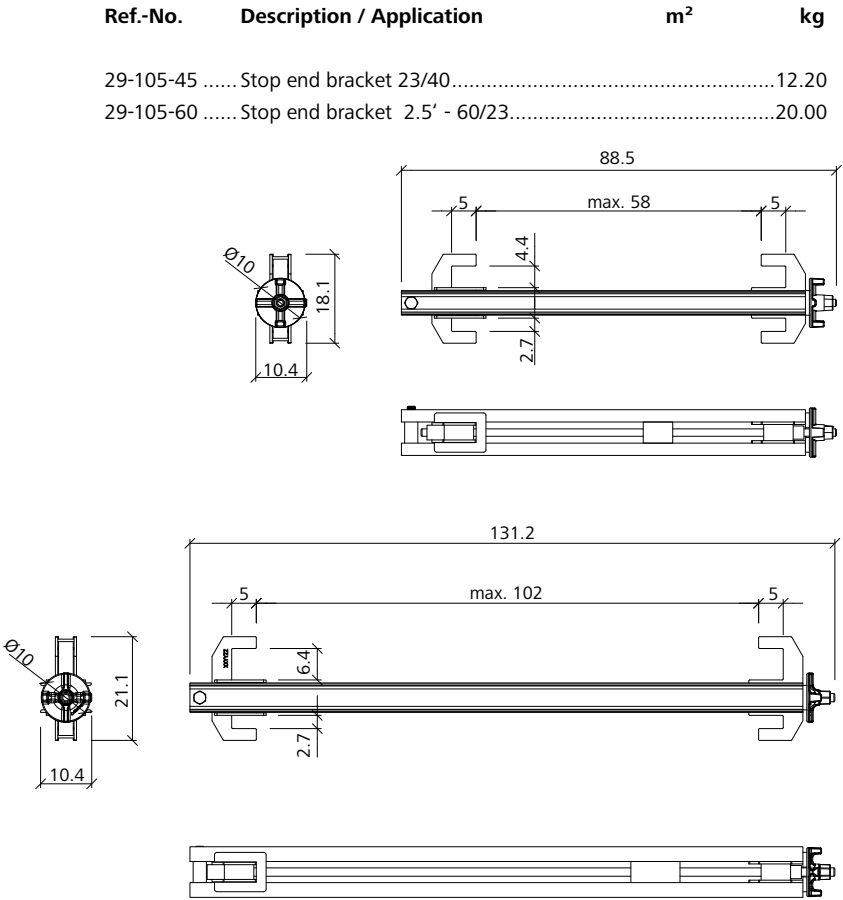
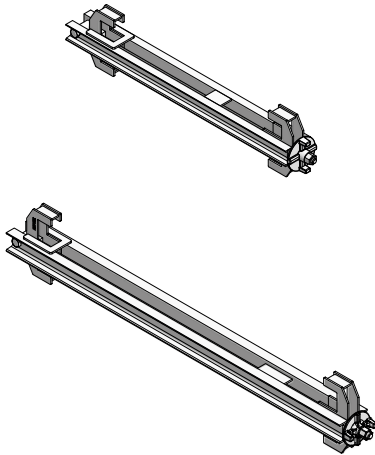


(...)\* = 29-401-12

Wall formwork

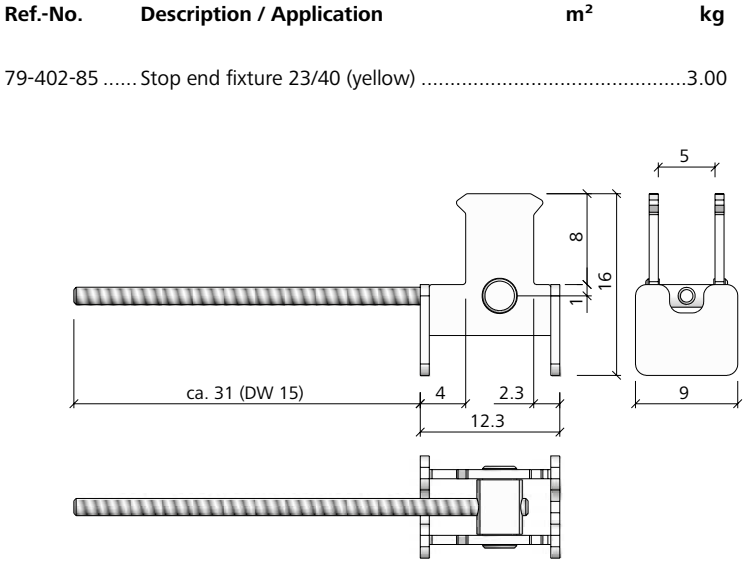
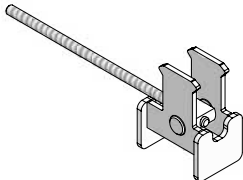
**Stop end bracket**

Galvanized. Is used to form stop ends. Stop end bracket 23/40 for wall thickness up to 35. Stop end bracket 60/23 for wall thickness up to 75 cm.



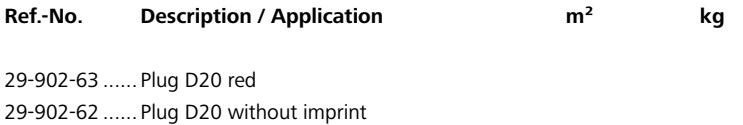
**Stop end fixture 23/40**

Yellow chromated. Another method of forming a stop end is to use flange nut 100 and alignment rail. In addition, the panels are to be tied on the outside.



**Plug D20**

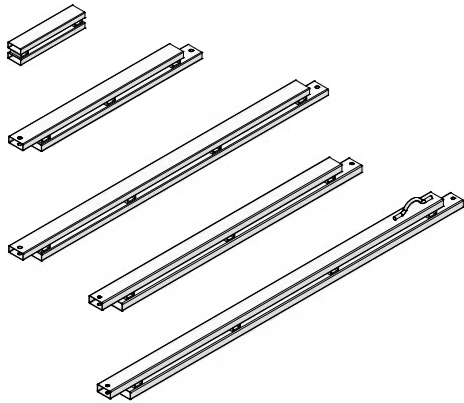
Is used to close unused tie holes (AluFix, EcoAs, AluStar and StarTec).



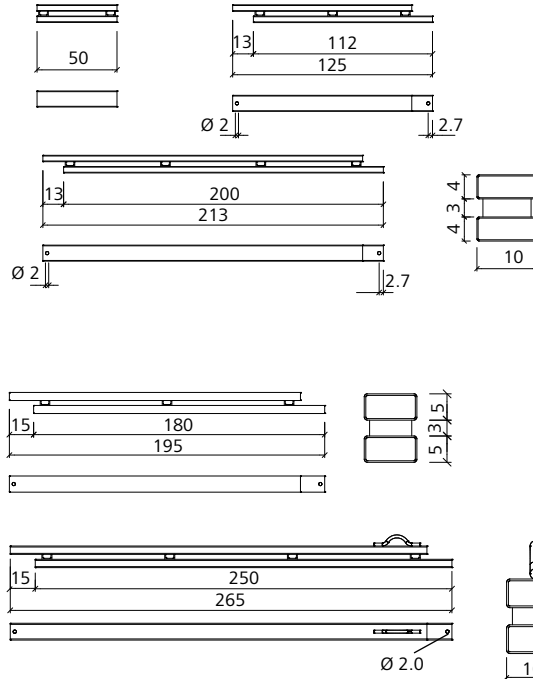
# Wall formwork

## Alignment rail

Galvanized. Is used to brace panel joints for crane ganging, bridge problem areas, brace compensation areas and build stop ends with stop end fixtures. Is attached to the formwork with flange screws.

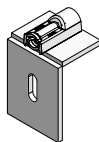


Ref.-No.	Description / Application	m <sup>2</sup>	kg
29-201-73	AS-alignment rail 50, galv.	5.20	
29-201-75	AS-alignment rail 125, galv.	10.50	
29-201-80	AS-alignment rail 200, galv.	19.00	
29-400-92	M-alignment rail 180, galv.	24.80	
29-402-50	M-alignment rail 250, galv.	34.50	

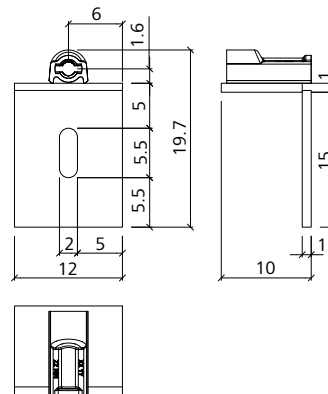


## Support angle for walkway brackets

Galvanized. Is used to support a walkway bracket if the DW-nut on the multi-function bracket is covered by an alignment rail. In this case the mounting bracket is fixed to the panel through the alignment rail by a separate flange screw.



Ref.-No.	Description / Application	m <sup>2</sup>	kg
29-106-95	Support angle for walkway brackets	2.70	

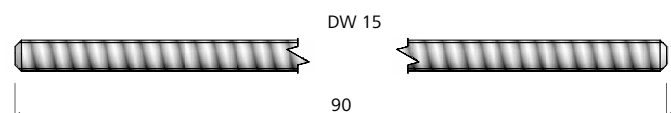


## Tie rod DW 15/90

Uncoated, not weldable. DW thread Ø 15 mm. Adm. load capacity 90 kN (DIN 18216). Is used to tie panels of a double-sided formwork.



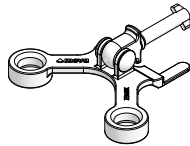
Ref.-No.	Description / Application	m <sup>2</sup>	kg
29-900-80	Tie rod DW 15/90	1.25	



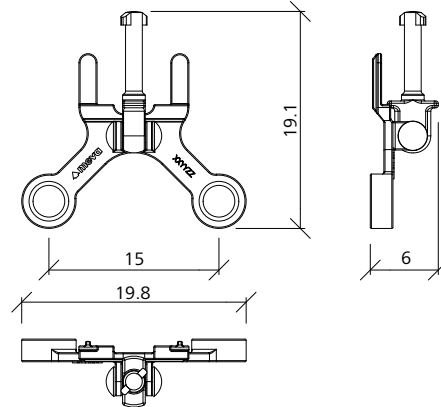
# Wall formwork

## Tie rod fixture

Galvanised. To hold DW tie rods with articulated flange nut, XT tie rods or XT taper ties. Can be used with horizontal or vertical MEVA wall formwork panels.

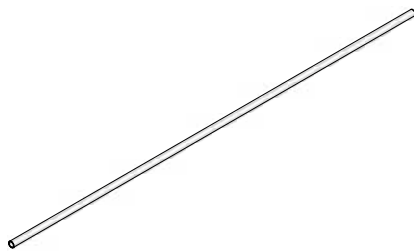


Ref.-No.	Description / Application	m <sup>2</sup>	kg
29-927-05	Tie rod fixture Ø35		1.20

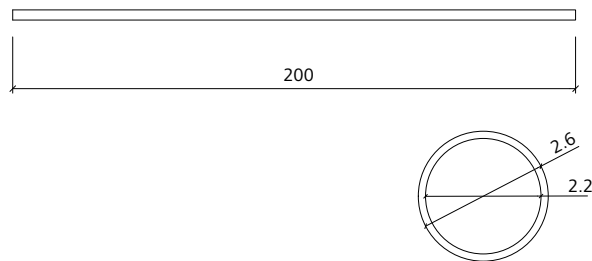


## Plastic tube

Plastic spacer tube for tie holes. Two cones are also required per tie hole. Internal Ø 22 mm, external Ø 28 mm, standard length 2.00 m.

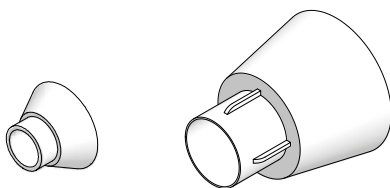


Ref.-No.	Description / Application	m <sup>2</sup>	kg
29-902-30	Plastic tube D22/200		0.35

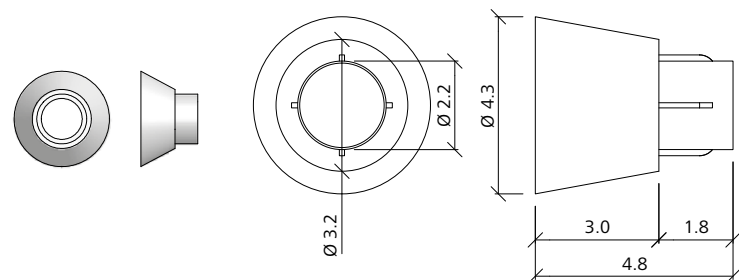


## Cone for plastic tube

Available with 10 mm or 30 mm covering.



Ref.-No.	Description / Application	m <sup>2</sup>	kg
29-902-40	Cone for plastic tube D22/10 (10 mm covering)		0.01
29-902-50	Cone for plastic tube D22/30 (30 mm covering)		0.01



## Plug

Is used to close tie holes in the wall when plastic tubes D22 or D32 are applied. Two plugs are required per tie hole.



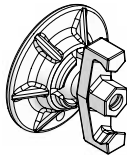
Ref.-No.	Description / Application	m <sup>2</sup>	kg
29-902-70	Plug D22		



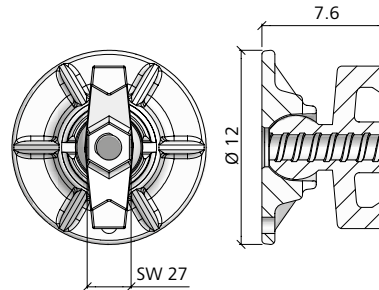
# Wall formwork

## Articulated flange nut 15/120

Forged, galvanized. DIN 18218. DW thread  $\varnothing$  15 mm, plate  $\varnothing$  120 mm, max. inclination  $10^\circ$ , SW 27. Max. load capacity 90 kN. Reduces wear of panel coating.

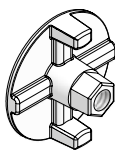


Ref.-No.	Description / Application	m <sup>2</sup>	kg
29-900-10	Articulated flange nut 15/120 (SW 27)	1.81	
29-900-18	Articulated flange nut AF - ST/AS	2.32	

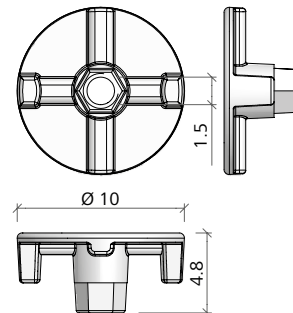


## Flange nut 100

Forged, galvanized. For DW tie rods with 15 mm  $\varnothing$ . Plate  $\varnothing$  100 mm, SW 27. Admissible load capacity 90 kN (DIN 18216).

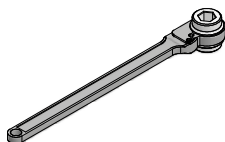


Ref.-No.	Description / Application	m <sup>2</sup>	kg
29-900-20	Flange nut 100 (SW 27, forged)	0.70	

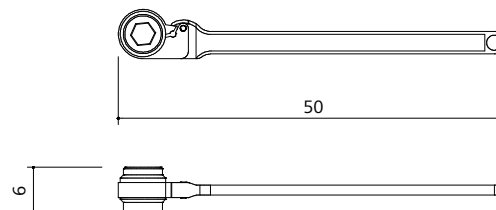


## Spanner SW 27

Inset yellow chromated. Spanner width (SW) 27 mm. Is used to tighten and loosen flange nuts 100, articulated flange nuts 15/120 and flange screws.



Ref.-No.	Description / Application	m <sup>2</sup>	kg
29-800-10	Spanner SW 27	1.80	

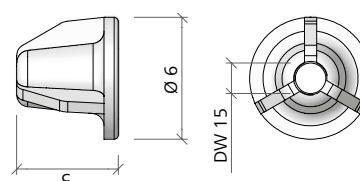


## Drive nut 60

Galvanized. DW thread  $\varnothing$  15 mm, plate  $\varnothing$  60 mm. Adm. load capacity 90 kN (DIN 18216). Is used to tie the formwork to the ground or to a wall connection.



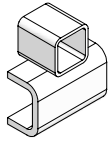
Ref.-No.	Description / Application	m <sup>2</sup>	kg
29-900-23	Drive nut 60	0.50	



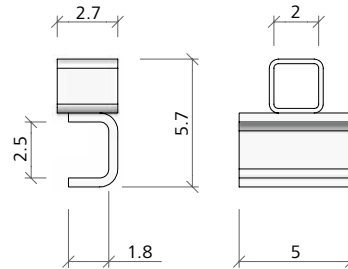
# Wall formwork

## Tie claw 23

Galvanized. Permits tying (with tie rod DW 15 and flange nut 100) directly above or beside EcoAs and AluFix panels.

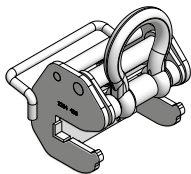


Ref.-No.	Description / Application	m <sup>2</sup>	kg
29-901-44	Tie claw 23	0.17	

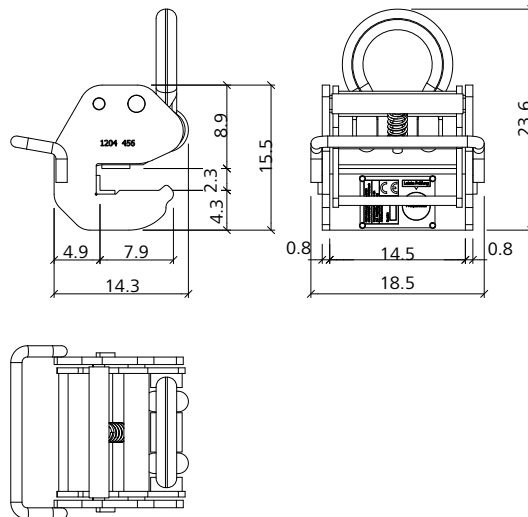


## EA/AF-Crane hook

Coated. Is used to move and crane-gang AluFix and EcoAs panels. Self-locking. Load capacity 6 kN (600 kg). Always two crane hooks required per gang. Refer to the crane hook Operating Instructions for application and safety test.

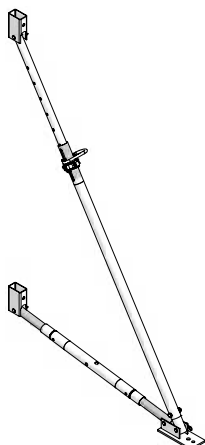


Ref.-No.	Description / Application	m <sup>2</sup>	kg
29-103-05	EA/AF-crane hook	5.89	

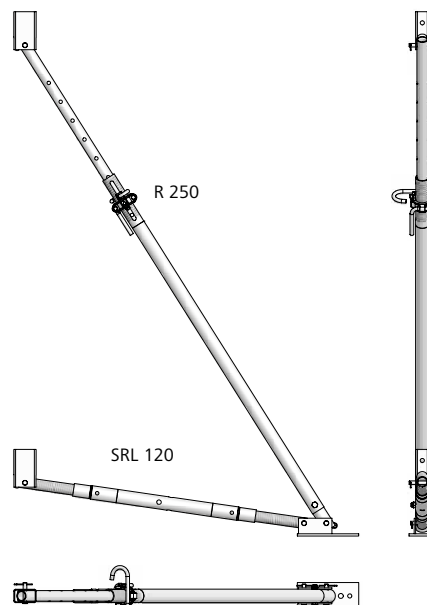


## Brace frame 250

Galvanized. Available with formwork-prop connector. Is used to align and brace the formwork. Consists of a push-pull prop R 250 (190 - 320 cm), a brace SRL 120 (90 - 150 cm) and a double-jointed footplate. The formwork-prop connectors are attached to the formwork with flange screws 18.



Ref.-No.	Description / Application	m <sup>2</sup>	kg
29-109-20	Brace frame 250 with formwork-prop connector	31.50	

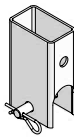




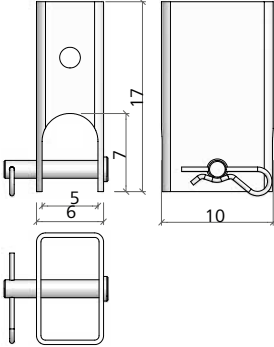
Wall formwork

**Formwork-prop connector**

Galvanized. Connects braces, brace frames and push-pull props (max. Ø 48 mm) to the multi-function profile with a flange screw 18. Delivery includes head bolt 16/90 and cotter pin 4.



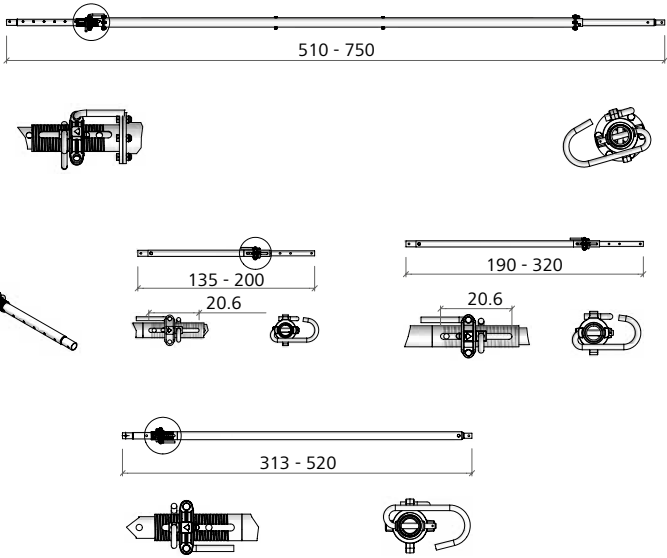
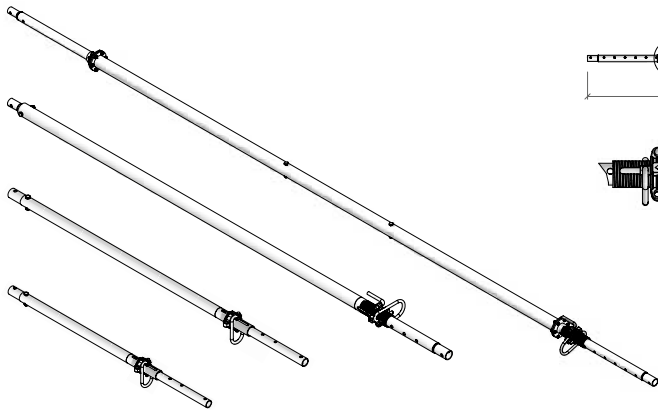
Ref.-No.	Description / Application	m <sup>2</sup>	kg
29-804-85	Formwork-prop connector		1.65



**Push-pull prop R**

Galvanized. Guarantee tensile and compression strength. Align and brace wall formwork. Length of thread 20.6 cm. Foot plates and formwork-prop-connectors to be ordered separately.

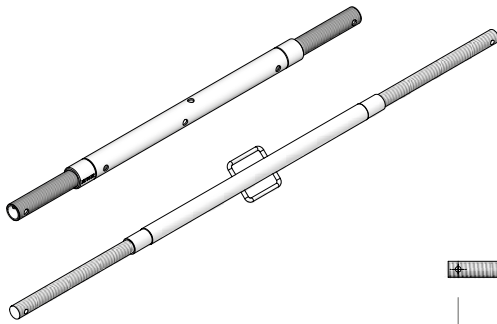
Ref.-No.	Description / Application	m <sup>2</sup>	kg
29-109-40	Push-pull prop R 160 .....(135-200)		12.60
29-109-60	Push-pull prop R 250 .....(190-320)		17.20
29-109-80	Push-pull prop R 460 .....(340-520)		34.00
29-109-85	Push-pull prop R 630 .....(510-760)		57.00



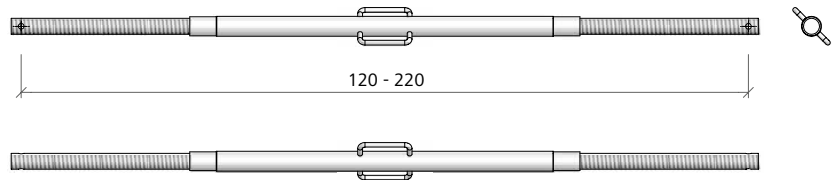
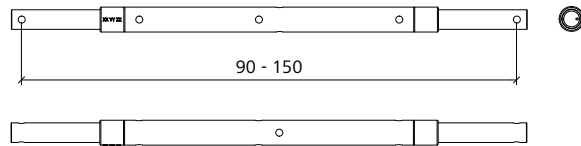
# Wall formwork

## Braces SRL

Galvanized. Guarantee tensile and compression strength. With right-hand and left-hand spindle and revolving centre part. Align and brace wall formwork. Foot plates and formwork-prop-connectors to be ordered separately.

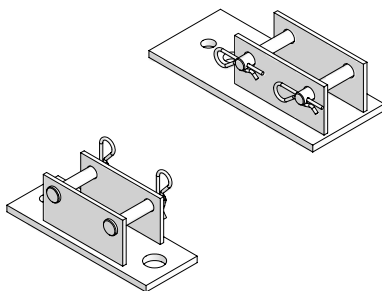


Ref.-No.	Description / Application	m <sup>2</sup>	kg
29-108-80	Brace SRL 120 ..... (90-150)		8.79
29-108-90	Brace SRL 170 ..... (120-220)		11.50

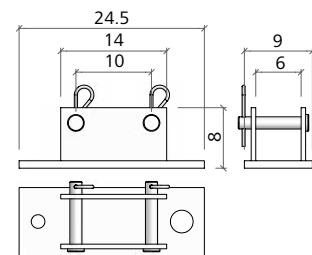
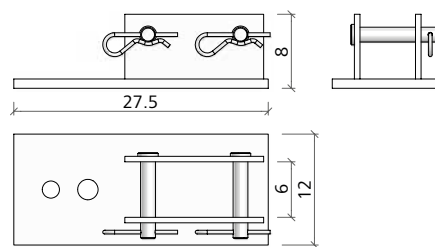


## Foot plate

Galvanized. With head bolt 16/90 and cotter pin 4. Serves as foot plate for brace frames 250 and as connector for braces and push-pull props up to Ø 57 mm.

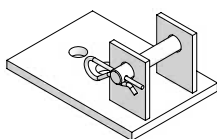


Ref.-No.	Description / Application	m <sup>2</sup>	kg
29-402-32	Double-jointed foot plate (prop diam. up to 57 mm)		4.00
79-427-50	Foot plate 60 (RS Ø to 57 mm)		3.00

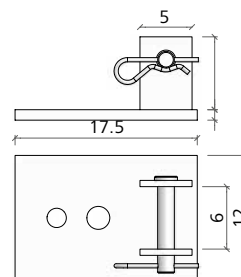


## Articulated foot plate

Galvanized. With head bolt 16/90 and cotter pin 4. For push-pull props and braces of up to Ø 57 mm.



Ref.-No.	Description / Application	m <sup>2</sup>	kg
29-802-48	Articulated foot plate (RS Ø to 57 mm)		2.30



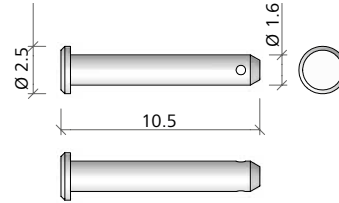
# Wall formwork

## Head bolt 16/90

Galvanized. Is used to attach push-pull props and braces to foot plates and formwork-prop connectors.

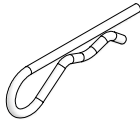


Ref.-No.	Description / Application	m <sup>2</sup>	kg
42-413-50	Head bolt 16/90, galv.	0.17	

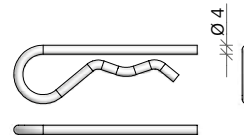


## Cotter pin 4

Galvanized. Locks the head bolt.

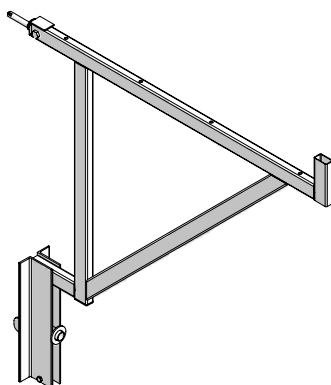


Ref.-No.	Description / Application	m <sup>2</sup>	kg
62-010-04	Cotter pin D=4	0.02	

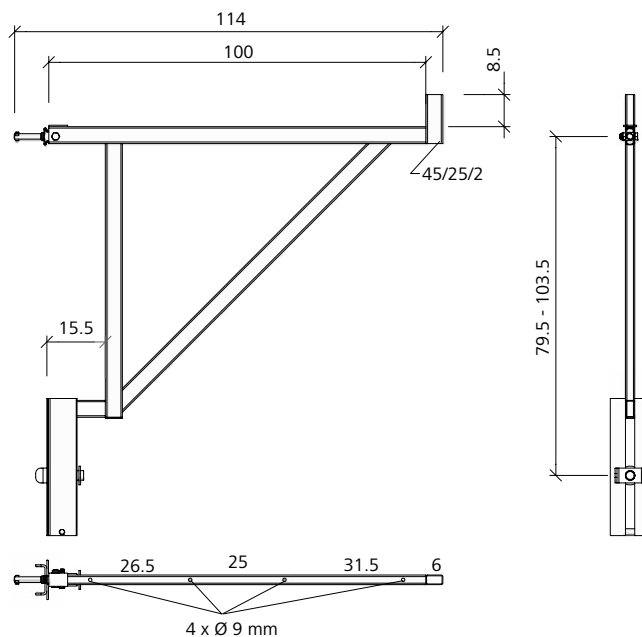


## Walkway bracket

Galvanized, yellow, pluggable. Is used as working and safety scaffold. Is attached to the multi-function profile and secured to the multi-function profile below with a flange screw 18. The planking can be mounted to the brackets. Working width approx. 90 cm. MEVA Guardrailing post is also required. Bracket spacing depends on type of planking (DIN 4420).



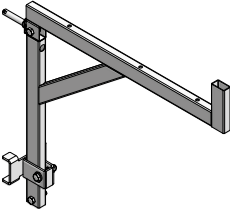
Ref.-No.	Description / Application	m <sup>2</sup>	kg
29-106-00	Walkway bracket 90 (yellow), galv.	10.30	



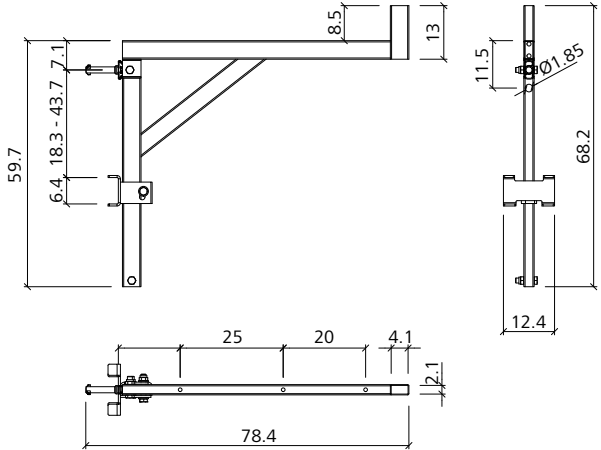
Wall formwork

**Walkway bracket 65**

“Galvanized, pluggable. Adapted in particular to AluFix and EcoAs. Is used as working and safety scaffold. Is plugged into the multi-function profile while the sliding part rests on the cross stiffener – no flange screw needed. The planking can be mounted to the brackets. Working width approx. 65 cm. A MEVA guard-railing post is required in addition. Bracket spacing depends on type of planking (DIN 4420).”

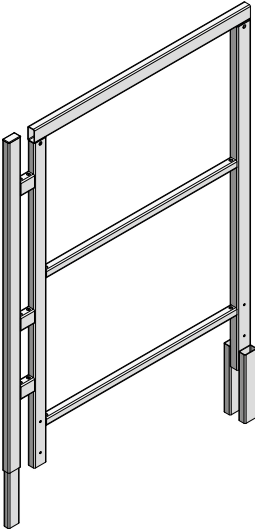


Ref.-No.	Description / Application	m <sup>2</sup>	kg
29-106-15	Walkway bracket 65		4.80

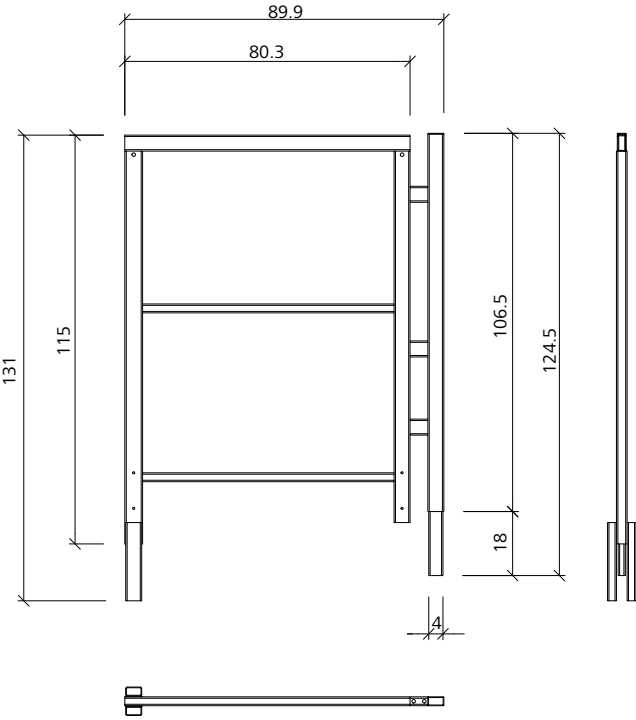


**Side railing**

Galvanized. Is plugged into the walkway bracket.



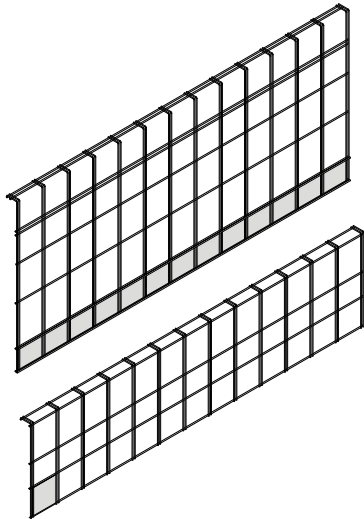
Ref.-No.	Description / Application	m <sup>2</sup>	kg
29-108-20	Side railing 90/100, galv.		12.30



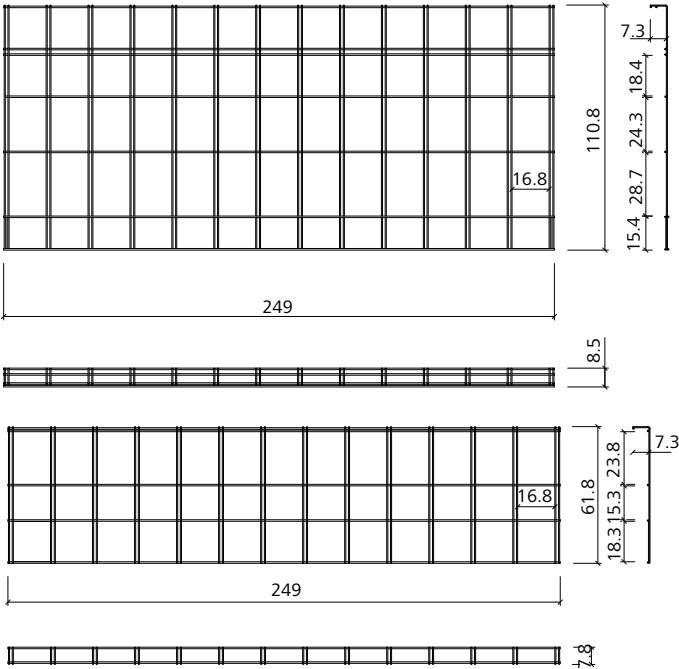
Wall formwork

Safety mesh

Painted steel. Robust steel mesh with reinforced edges and closed steel sheet to prevent small items from falling down. The mesh replaces railings, toe board and net in one single part. DIN EN 13374 Class A.

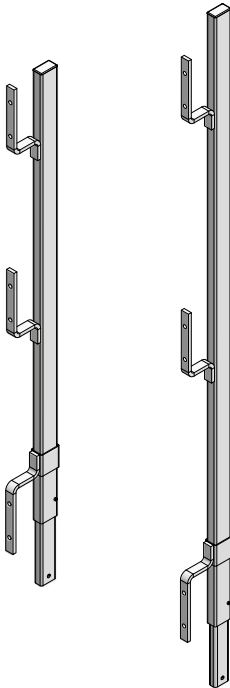


Ref.-No.	Description / Application	m <sup>2</sup>	kg
29-920-00	..... Safety mesh 1100/2490 .....	15.00	
29-920-05	..... Safety mesh 600/2490 .....	9.80	

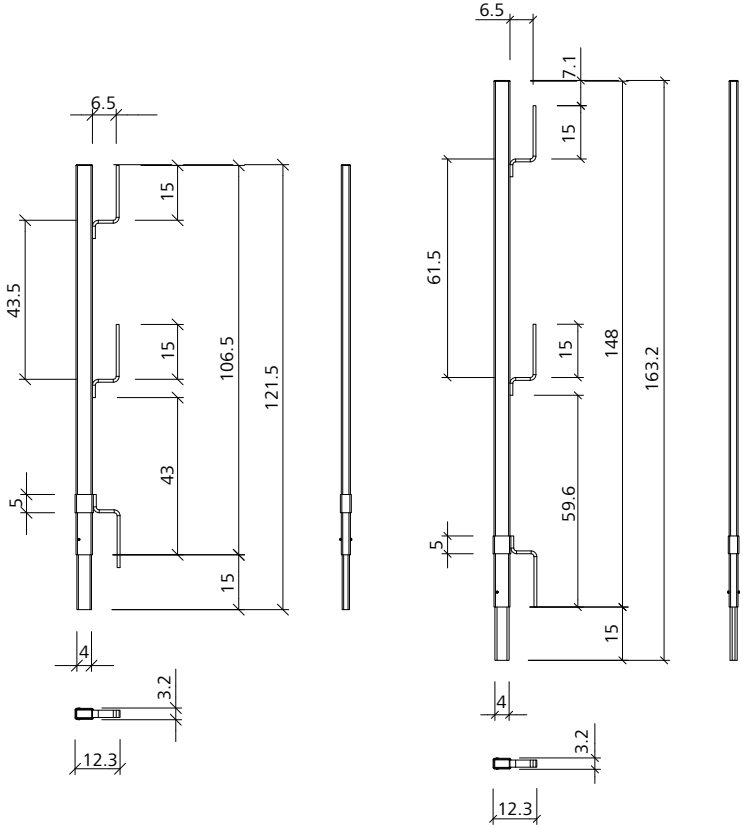


Guardrailing post

Galvanized. Is plugged into the walkway bracket.



Ref.-No.	Description / Application	m <sup>2</sup>	kg
29-106-75	..... Guard-railing post 100 .....	3.70	
29-106-85	..... Guard-railing post 140 .....	4.70	



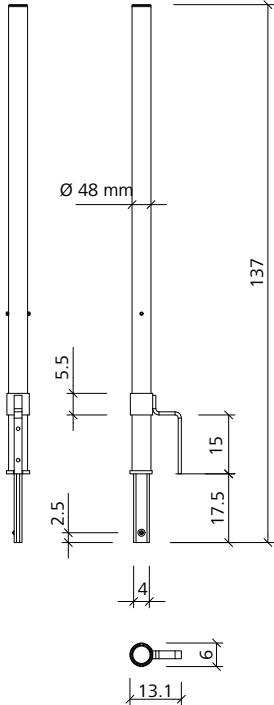
# Wall formwork

## Guardrailing post 48

Galvanized. With manifold to be plugged into the walkway bracket and with 48 mm Ø tube to attach scaffold couplers.

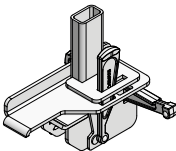


Ref.-No.	Description / Application	m <sup>2</sup>	kg
29-106-80	Guard-railing post 48/120 (UK)		5.50

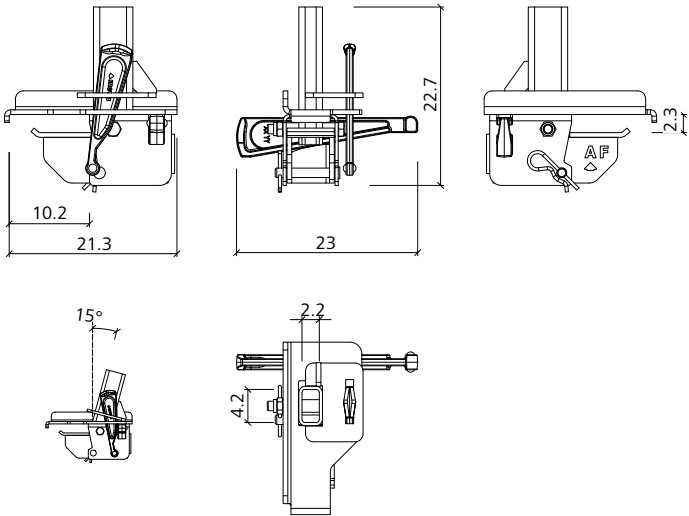


## Tilting bracket 23

Galvanized. Used to attach MEVA guardrailing posts to create a fall protection system. It can be set up vertically to facilitate the installation of safety meshes or railing boards or inclined by 15° to create a larger working area. Secured with a wedge to the frame profile of 23 mm.



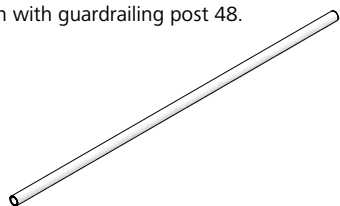
Ref.-No.	Description / Application	m <sup>2</sup>	kg
29-920-84	Tilting bracket 23		4.90



# Wall formwork

## Scaffold tube

Galvanized. Is used as hand-rail / mid-rail in combination with guardrailing post 48.



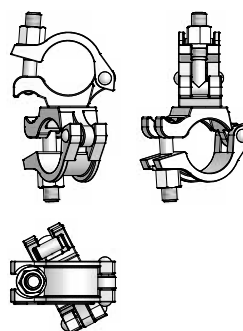
Ref.-No.	Description / Application	m <sup>2</sup>	kg
29-412-23	Scaffold tube 48/200		9.40
29-412-26	Scaffold tube 48/300		14.10
29-412-27	Scaffold tube 48/400		18.80
29-412-25	Scaffold tube 48/500		23.50
29-412-28	Scaffold tube 48/600		28.20

## Swivel-joint coupler 48/48

Galvanized. Connects 2 scaffold tubes with Ø 48.3 mm at any angle required.

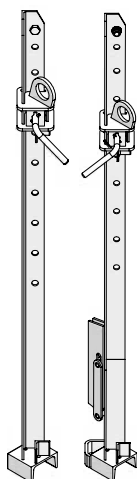


Ref.-No.	Description / Application	m <sup>2</sup>	kg
29-412-52	Swivel-joint coupler 48/48		1.20

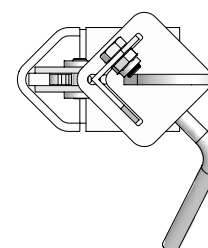
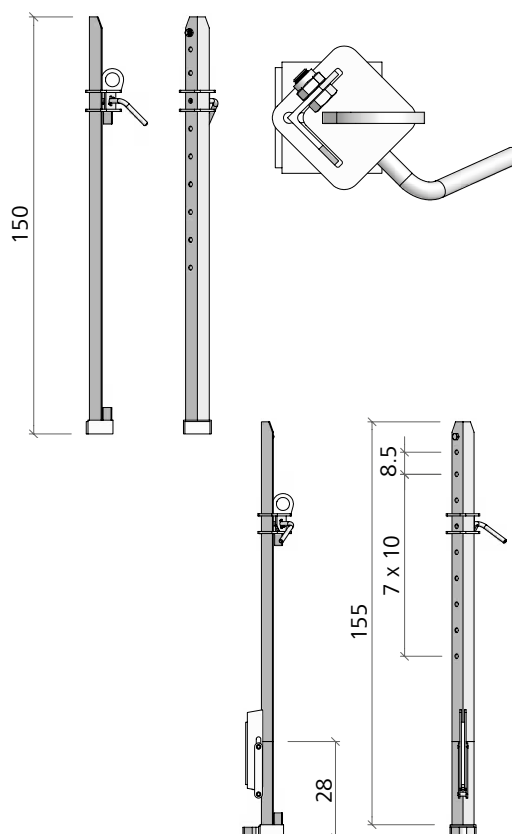


## Transport angle 10

Is used to stack and transport 5 to 12 EcoAs or AluFix panels. Distance between holes 10 cm. We recommend using 2 foldable angles and 2 angles of the rigid type per stack. Max. load capacity is 10 kN per angle. For safety reasons consider 20 kN as maximum capacity for the whole stack.



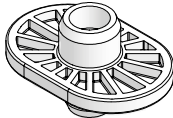
Ref.-No.	Description / Application	m <sup>2</sup>	kg
29-305-15	Transport angle 10, rigid type		10.40
29-305-10	Transport angle 10		16.00



Wall formwork

**Safety plug stacks**

Plastic, black. Secures stacked AluFix, EcoAs, AluStar and StarTec panels.

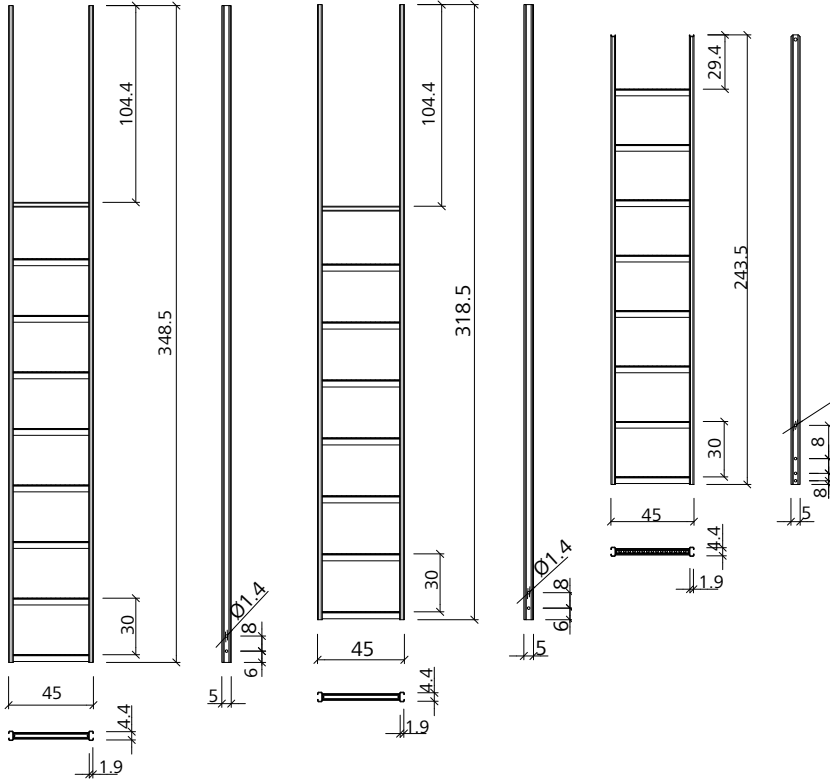
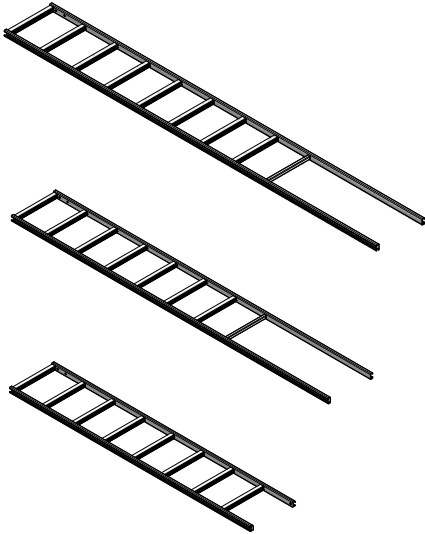


Ref.-No.	Description / Application	m <sup>2</sup>	kg
40-131-10.....	Safety plug AS/ST stacks, black.....	0.04	

**Ladder**

Galvanized. Is hooked into the CF-access platform and automatically secured. Can be extended with extension ladders. Safety cages are required for operational safety.

Ref.-No.	Description / Application	m <sup>2</sup>	kg
29-414-50 .....	Ladder 348 .....	23.20	
29-414-55 .....	Ladder 318 .....	21.10	
29-416-50 .....	Ladder 243 .....	17.20	





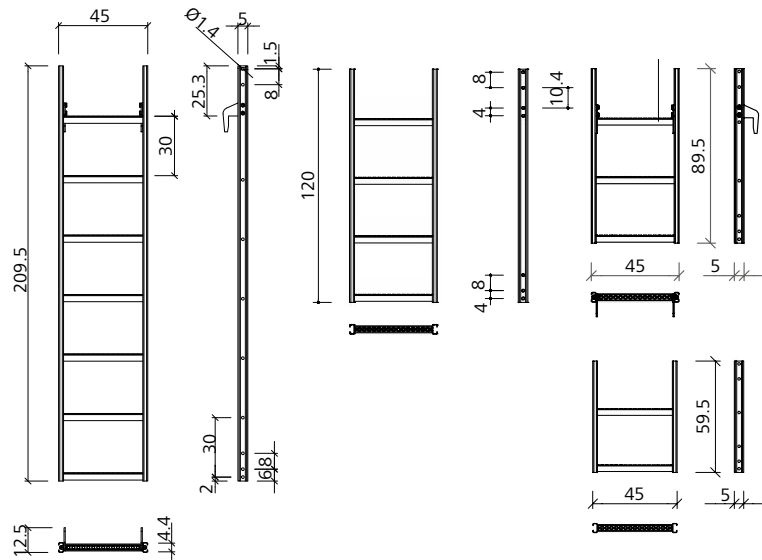
# Wall formwork

## Extension ladder 210

Galvanized. Depending on the required height, the extension ladder is either hooked into the steps of the ladder or bolted to the ladder with the ladder connector.

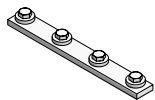


Ref.-No.	Description / Application	m <sup>2</sup>	kg
29-416-52	..... Extension ladder 270.....	19.20	
29-414-60	..... Extension ladder 210.....	15.80	
29-416-55	..... Extension ladder 120.....	8.50	
29-416-60	..... Extension ladder 90.....	7.40	
29-416-62	..... Extension ladder 60.....	4.40	

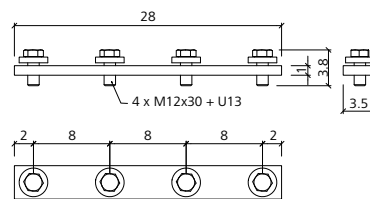


## Ladder connector

Galvanized. Connects the joint of two extension ladders without the need to hook one ladder into a step of the other.



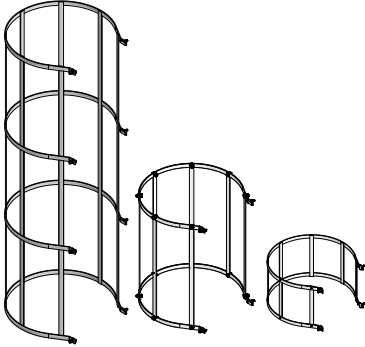
Ref.-No.	Description / Application	m <sup>2</sup>	kg
29-414-70	..... Ladder connector.....	1.03	



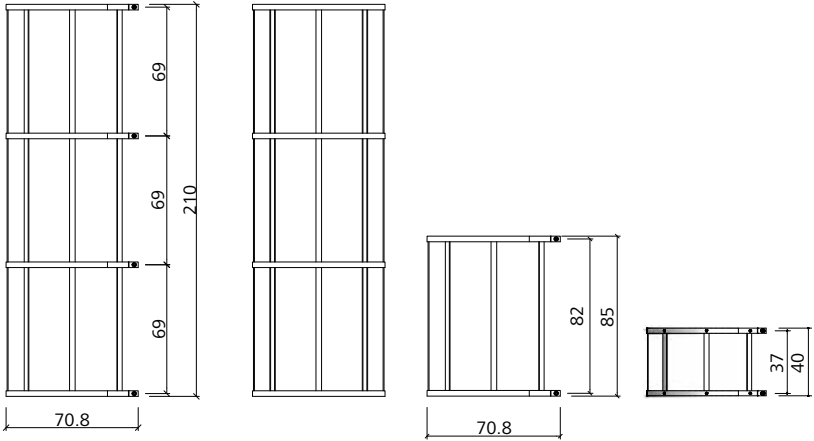
Wall formwork

Safety cage

Galvanized. Internal Ø 70 cm. Protects workers when ascending and descending the ladder. The safety cages are attached to the (extension) ladders with the integrated hammerhead screws.

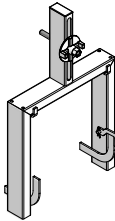


Ref.-No.	Description / Application	m <sup>2</sup>	kg
29-414-85	Safety cage 210	27.60	
29-414-90	Safety cage 85	12.10	
29-416-90	Safety cage 40	8.20	

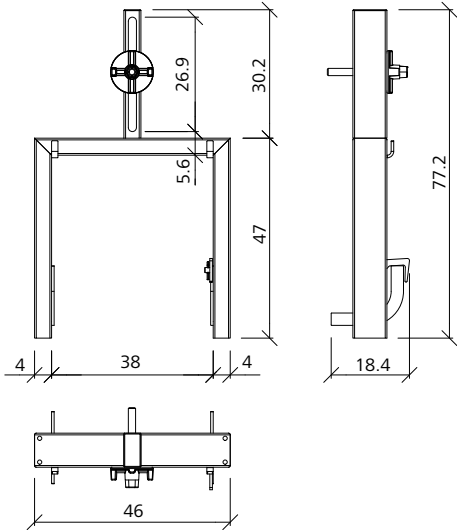


Ladder fixture. upper wall formwork

Galvanized. Attached to the multi-function profile at the top of the horizontal or vertical panel to hold the ladder or extension ladder.

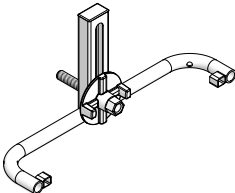


Ref.-No.	Description / Application	m <sup>2</sup>	kg
29-416-82	Ladder fixture, upper wall formwork - top	7.90	

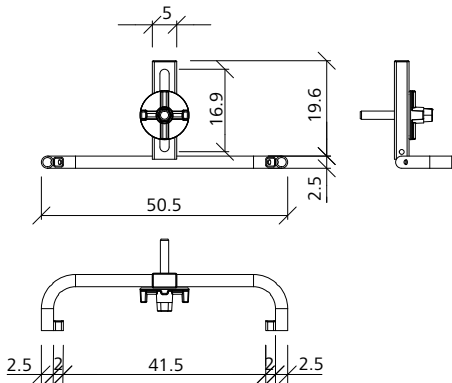


Ladder fixture. lower wall formwork

Galvanized. Attached to the multi-function profile at the bottom of the horizontal or vertical panel to hold the ladder or extension ladder.



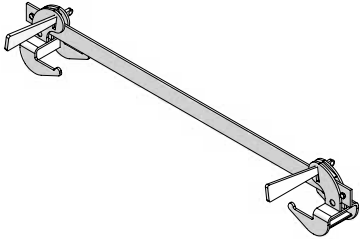
Ref.-No.	Description / Application	m <sup>2</sup>	kg
29-416-84	Ladder fixture, lower wall formwork - bottom	2.40	



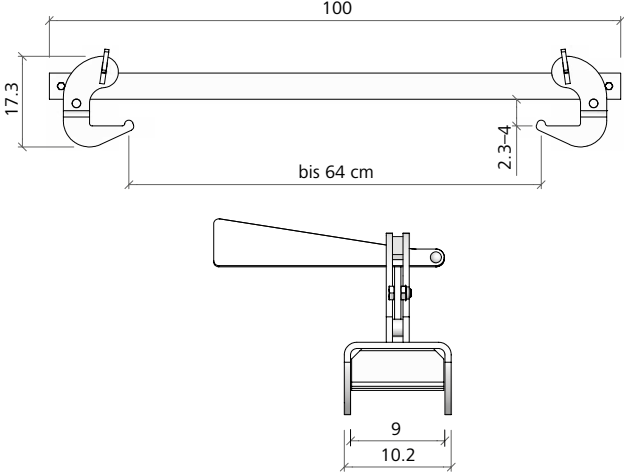
# Wall formwork

## Push-pull strut

Galvanized, torsion-proof. Is attached above a panel joint and replaces top tie of horizontal panels for a wall or slab thickness up to 64 cm (AluFix and EcoAs) and 60 cm (StarTec and AluStar).



Ref.-No.	Description / Application	m <sup>2</sup>	kg
79-105-70	..... Push-pull strut.....		6.60





**MEVA Schalungs-Systeme GmbH**

Industriestrasse 5    Tel. +49 7456 692-01  
72221 Haiterbach    Fax +49 7456 692-66  
Germany            info@meva.net

[www.meva.net](http://www.meva.net)